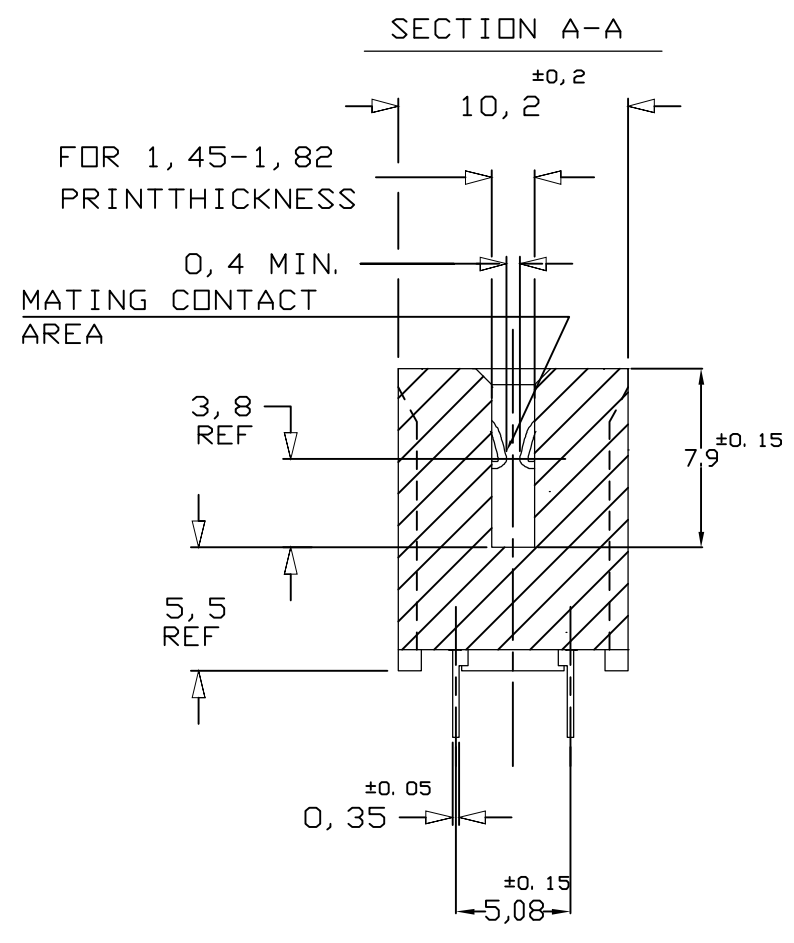
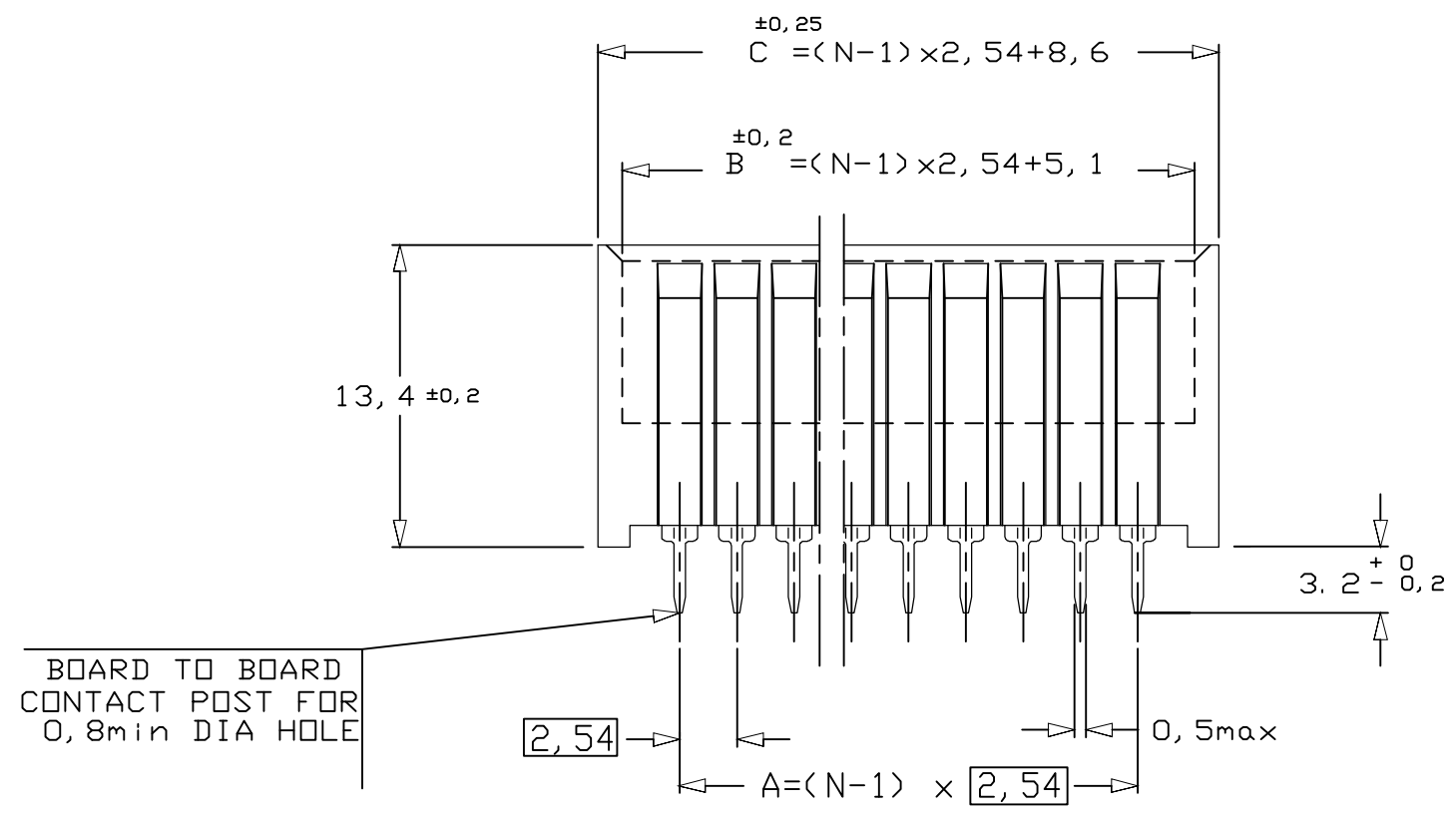
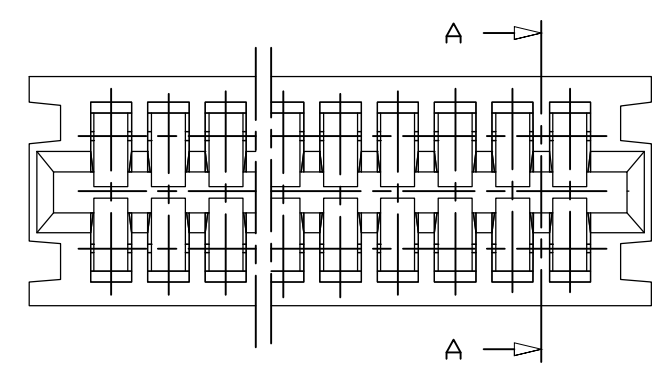


- NOTES:**
- FOR TYCO P/N PLEASE SEE TABLE
 - FOR CALCULATING DIMENSIONS:
TAKE NUMBER OF POSITIONS
FOR EXAMPLE: 13 POSITIONS
 $C = (N-1) \times 2,54 + 8,6$
 - MATING CONTACT AREA LUBRICATED
WITH LUBRICANT ELECTROLUBE 2X.
 - PRODUCT SPECIFICATION 108-19041
 - PACKAGING: ON PLASTIC TUBES, BOXED



POS.	DIM "A"	DIM "B"	DIM "C"	TYCO P/N
13	30.48	35.58	39.08	1-166774-3
12	27.94	33.04	36.54	1-166774-2
10	22.86	27.96	31.46	1-166774-0
6	12.70	17.80	21.30	166774-6

CONTACT: 3,0µm MIN TIN PLATED ON ENTIRE CONTACT, OVER 1,25µm MIN NICKEL PLATED UNDERLAYER	HOUSING: THERMOPLASTIC POLYESTER 20% GF, UL94-V0 COLOUR GREEN CONT. : PH. BRONZE H06	166774-... (SEE TABLE)
FINITURA / COLORE (FINISH / COLOUR)	MATERIALE (MATERIAL)	NUMERO (PART NUMBER)

CUSTOMER DWG. FOR REFERENCE ONLY

DISEGNO PER CLIENTE SOLD PER RIFERIMENTO

THIS DRAWING IS UNPUBLISHED RELEASE FOR PUBLICATION 19

© COPYRIGHT 19 BY AMP INCORPORATED, HARRISBURG, PA. ALL INTERNATIONAL RIGHT RESERVED. AMP PRODUCTS MAY BE COVERED BY U.S. AND FOREIGN PATENT AND/OR PATENT PENDING

TOLLERANZE: SE NON DIVERSAMENTE SPECIFICATO (TOLERANCES: UNLESS OTHERWISE SPECIFIED)	DIAM. ISOLANTE (INS. DIA. RANGE)	RANGO FILE (WIRE RANGE)	SCALA (SCALE)
± 0,3	-	-	-

J3 CORRECTED PLATING INFORMATION	D. C.	13SEP 2005	ANGOLI (ANGLES)	± 2°
J2 REVISED FOR ET00-0016-04	D. C.	09FEB 2004	DIS. (DR.)	D. CHIARELLI
J1 REVISED FOR ET00-0115-03	D. C.	24JUN 2003	CONTR. (CHK)	R. MARSEGLIA
J REVISED FOR ET00-0068-03	P. B.	9MAY 2003	APP.	C. TARTARI
H REDRAWN FOR ET00-148-02	D. C.	17SEP 2002	DIS. DATA (DR) (DATE)	

DESCRIZIONE (DESCRIPTION)	6, 10, 12, 13 POS. AMP-EDGE CONN., DUAL LOADED WITH B. T. B. CONTACTS
LOC.	I
SIZE	A3
NUMERO (DWG NO)	C-166774
REV.	J3
FOGLIO (SHEET)	1
DI (OF)	1

DISTRIBUZIONE
(PRINT DIST.)