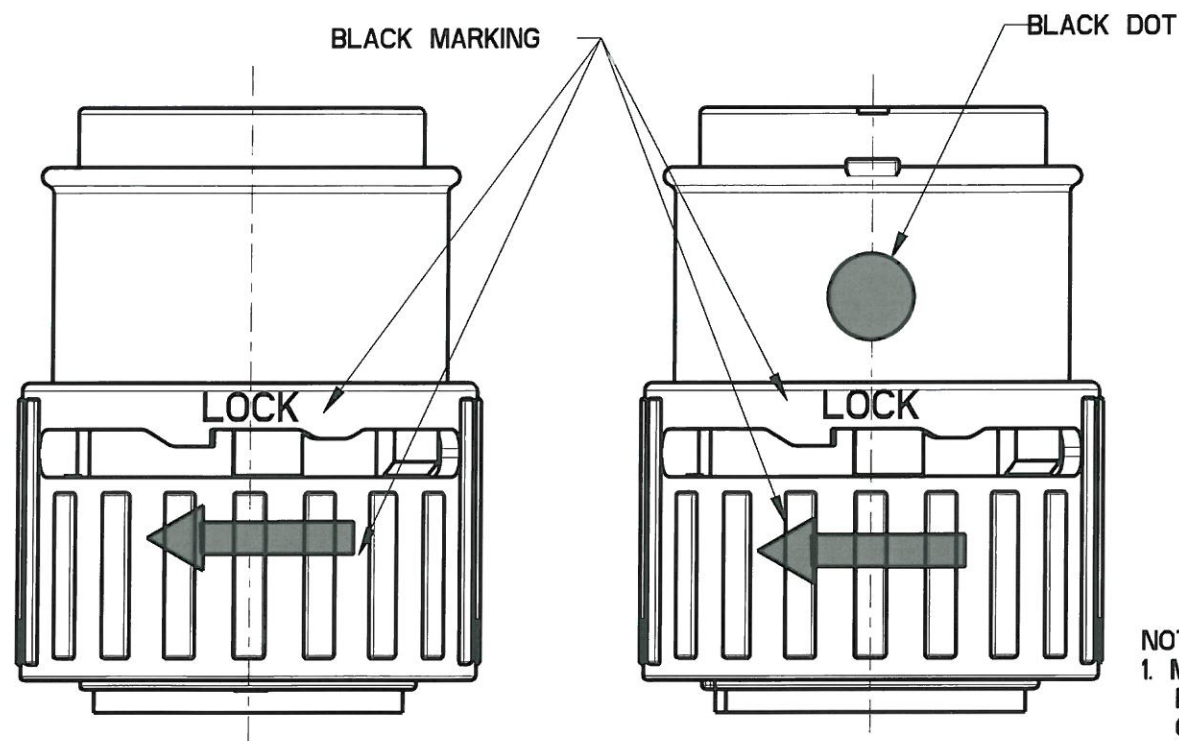
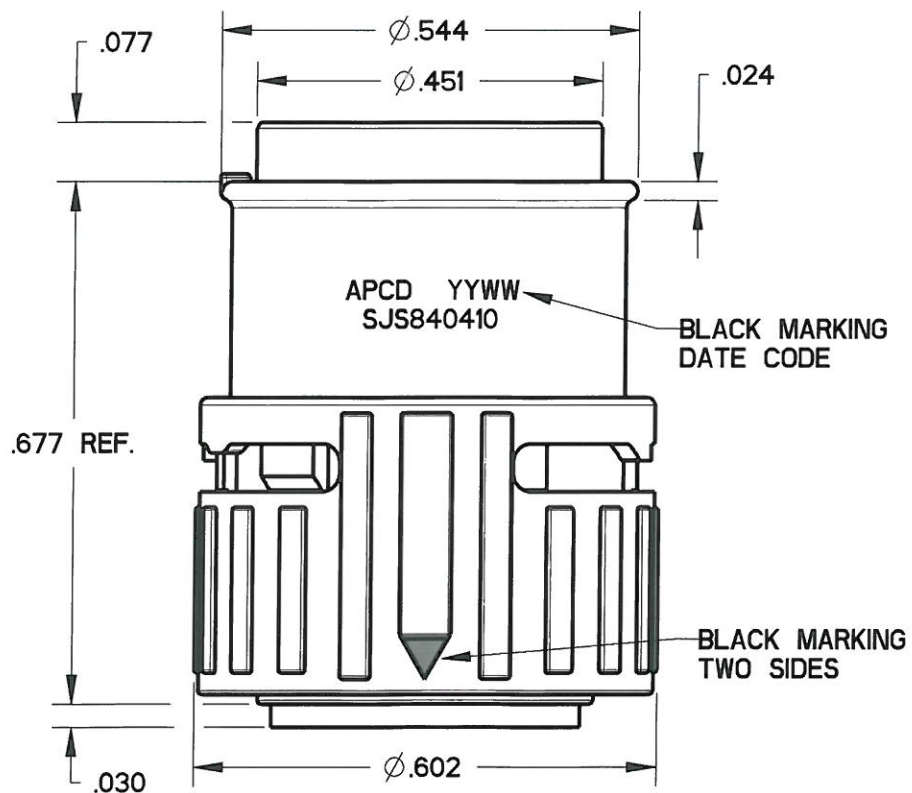
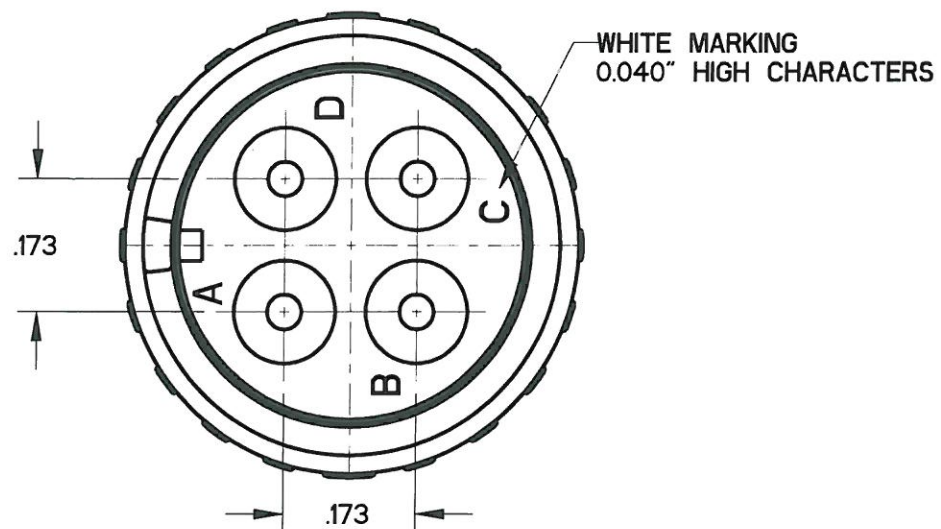
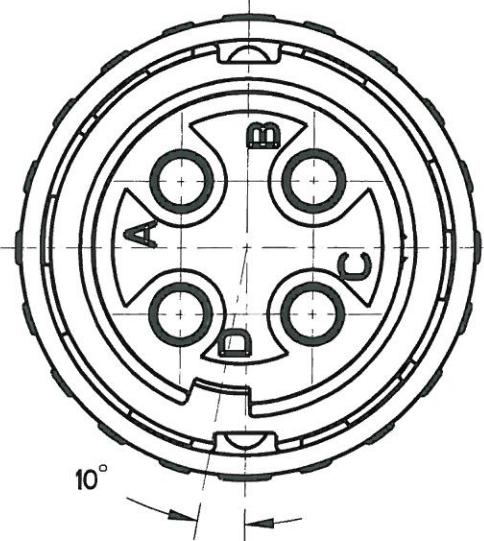


REV	ECN	APP'D
A	6428	JT 10/28/09
B	6473	JT 2/8/10
C	6481	JT 2/22/10
D	6564	JT 8/6/10
E	6655	<i>[Signature]</i>



SCALE 3:1

- NOTES:
1. MATERIALS:
HOUSING: PA6/6
CONTACT RETAINER: STAINLESS STEEL
GROMMET: SILICONE RUBBER PER A-A-59588
 2. ACCEPTS M39029/57-358 SOCKET CONTACTS (NOT INCLUDED)
 3. WHEN ASSEMBLED, "LOCK" AND ARROW MARKINGS MUST ALIGN WITH BLACK DOT
 4. PART MATES WITH SJS840400
 5. WEIGHT: 2.7 GRAMS
 6. SUPPLIED WITH DUST CAP



DIMENSIONS ANSI Y14.5M UNITS: INCHES Pro/E FILE	TOLERANCES .XX ±0.01 .XXX ±0.005 ANGLES ±1.0°	PROJECTION 	Amphenol Pcd SPECIFICATION DRAWING		TITLE 4P SZ16 INLINE WHITE PLUG FOR SJS		
			ENGR Frank.Li 15-Mar-09	SIZE B		DWG NO. SJS840410_CE	REV E
ORIGINAL 	THIS DOCUMENT CONTAINS PROPRIETARY INFORMATION WHICH IS THE CONFIDENTIAL PROPERTY OF AMPHENOL PCD INC., BEVERLY, MA		CHKD <i>[Signature]</i> 1/18/11	APPD <i>[Signature]</i> 1/18/11	CODE: 58982	SCALE: 4:1	SHEET 1 OF 1

SJS840410

SJS840410