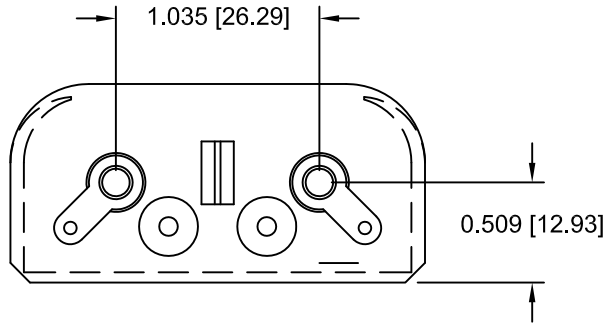
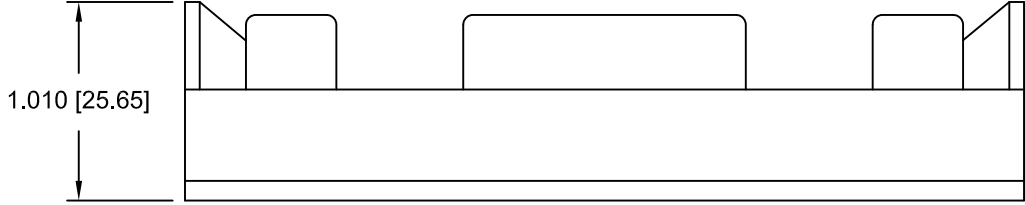
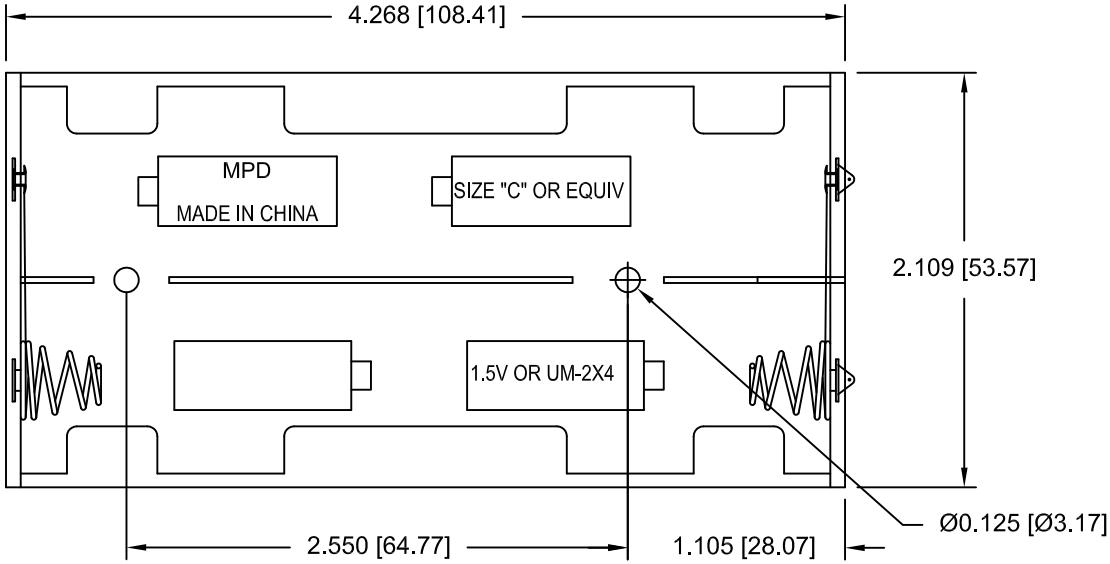



Date	SYM	REVISION RECORD	AUTH	DR.	CK.
3/07/08	D	DIM. 2.550 WAS 2.500 DIM. 1.105 WAS 1.143.	T.B.	B.S.	
11/16/12	E	RE-DRAWN DIM. 4.268 WAS 4.303	T.B.	B.S.	
8/06/14	F	UPDATED TO ROHS 2 COMPLIANT	T.B.	B.S.	



SPECIFICATIONS

- Plastic material - Polypropylene
- Flammability Rating -UL94-HB, UL File NO. E216959
- Temperature Range: -10°C to +100°C
- Springs - Nickel Plated Spring Steel
- Wire - 26 AWG, UL1007, CSA
- Rivets - Brass, Nickel Plated
- 9Volt Snaps - Brass, Nickel Plated
- CONTACT RESISTANCE: UNDER 50mΩ FOR +/- CONTACTS PER EIA-540J000
- ROHS 2 COMPLIANT

Tolerance (Except as noted)	 Memory Protection Devices, Inc 200 Broad Hollow Road, Farmingdale, New York 11735	Scale	Drawn By T.S.
		1=1	Approved By T.B.
decimal ±.020 (.5)	Title FOUR "C" CELL HOLDER WITH SOLDER LUGS		
Fractional ± .030 (.8)	Date 8/06/14	Drawing Number BH24CL	
Angular ± 3°			