

PRODUCT NO.	MATERIAL
68106-XXXLF	PLAIN NORYL, COLOR: BLACK UL94V-1
68106-XXXHLF	Zytel: FR-50, BLACK UL94V-0

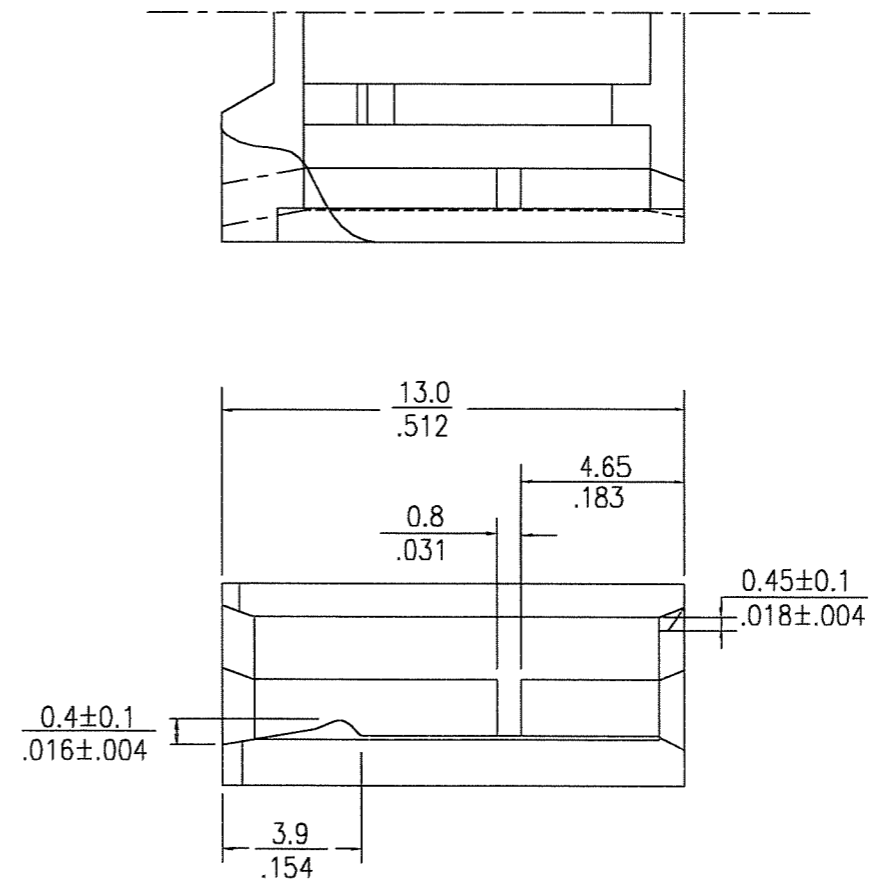
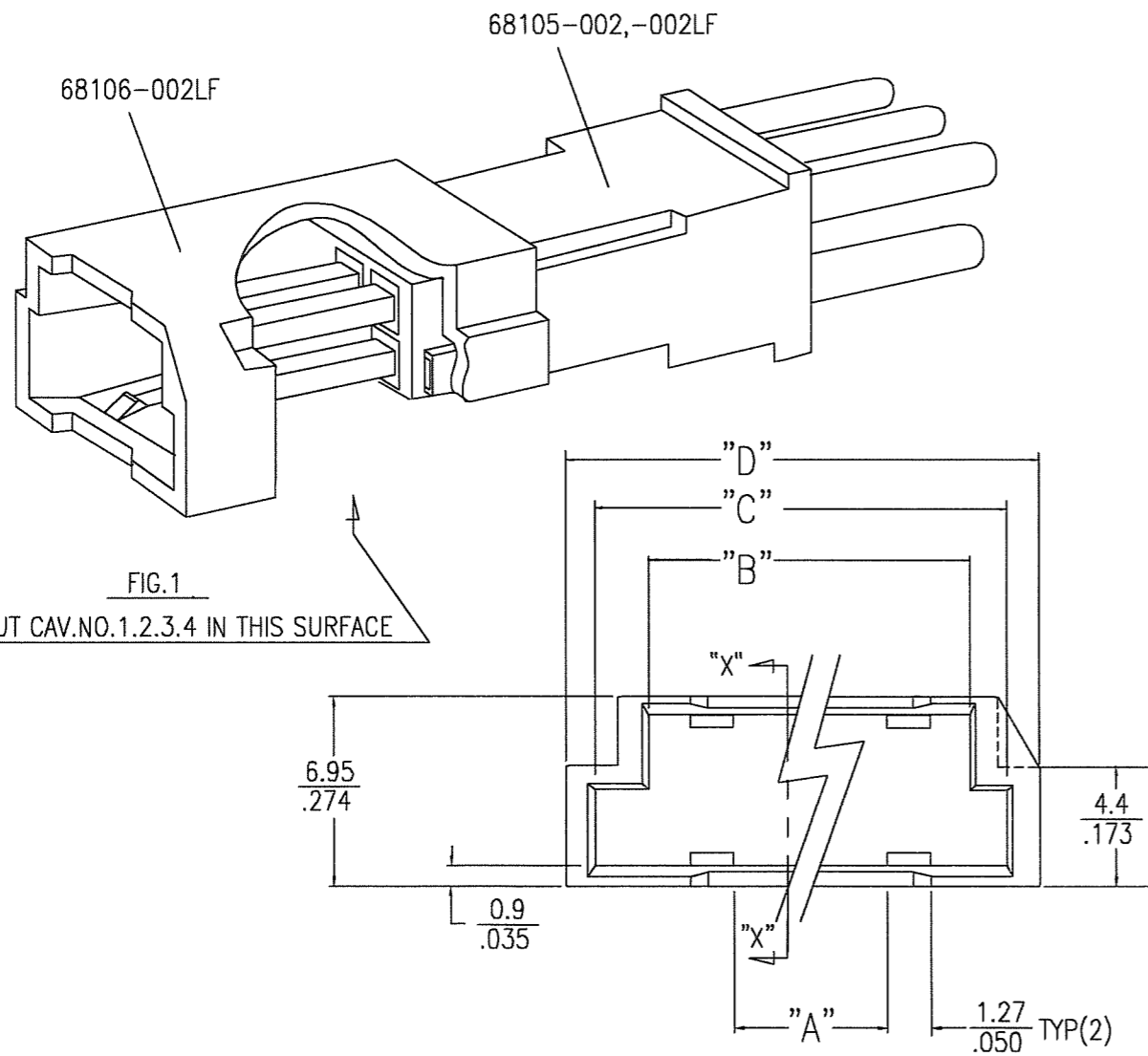
P/N	No. of POS	A	B	C	D
68106-003LF,-003HLF	8	5.08/.200	10.27/.404	12.27/.483	13.84/.545
68106-002LF,-002HLF	6	2.54/.100	7.73/.304	9.73/.383	11.30/.445
68106-001LF,-001HLF	4	0/.0	5.19/.204	7.19/.287	8.76/.345

NOTE

1. PUT DD MARK IN THIS PLACE WITH 0.02/.008 HEIGHT
2. PUT CAV NO. 1.2.3.4. IN THIS PLACE WITH 0.02/.008 HEIGHT
3. THIS PRODUCT MEETS EUROPEAN UNION DIRECTIVES AND OTHER COUNTRY REGULATIONS AS DESCRIBED IN GS-22-008.
4. THIS PRODUCT IS NOT INTENDED TO BE EXPOSED TO A MANUFACTURING SOLDER PROCESS.

注記

1. この位置に DDマークを彫刻、  
浮き出し高さ 0.02MAX.
2. この位置に CAV No. 1.2.3.4を彫刻  
浮き出し高さ 0.02 MAX.
3. 本製品は、GS-22-008に記載された  
ヨーロッパ連合指令と他国の規制に適合しています。
4. 本製品は、はんだ付け工程には使用できません。



SECT "X"-"X"

mat'l. code				surface		tolerance		projection		product family		CODE
---				ISO 1302 ✓		ISO 406		ISO 1101		5NGF - PV HOUSINGS		JP
ltr	description	ecn no	dr	date	tolerances unless otherwise specified		mm/INCH		title			
A	RELEASED		NY	11/10/83	0.X	±0.25			POLARIZED M/L HSG SHROUD			
B	REVISED	J8110	NY	12/5/84	0.XX	±0.25			DOUBLE ROW			
C	REVISED	J8481	NY	8/5/87	0°±2'	0.XXX	±0.25	scale 1:1				
D	ADD NEW P/N	J03-0441	YK	10/29/03	dr	R.SHOUJI	9/5/06	FCI		dwg no 68106		sheet 1 of 1 size A3
E	REVISED	J05-0575	R.S	9/7/05	enr	R.SHOUJI	10/2/06			type PRODUCT CUSTOMER Drawing		Rev.
F	REVISED	J06-0370	R.S	10/2/06	chr							F
sheet index		revision sheet	F 1									

FCI CONFIDENTIAL



This document is the property of and embodies CONFIDENTIAL and PROPRIETARY information of FCI. No part of this information shall be disclosed, copied, or reproduced in any way or disclosed to others without the written consent of FCI. Copyright FCI.