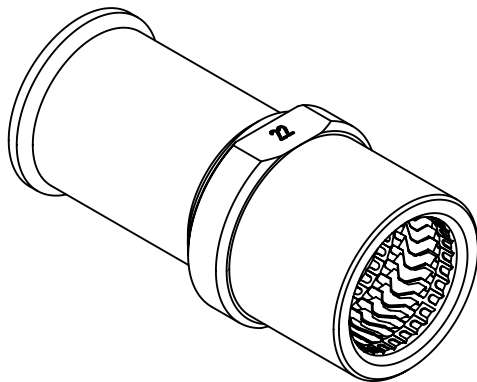
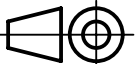



assembly notes see catalogue
 crimp zone acc. to DIN EN 46235 indicator 22
 for stranded fine wire acc. to VDE 0295 class 5/ IEC 60228 class 5
 wire gauge: 150mm²
 stripping length: 42mm



 All Dimensions in mm Original Size DIN A4	Scale	Free size tol.			Ref.
	1:1				Sub. TB 09 11 000 6264 v. 24.11.11
 All rights reserved Department EL PD - DE	Created by	Inspected by	Standardisation	Date	State
	FINKEV	SCHNIEDER	SCHMIDTM	2015-01-19	Final Release
HARTING Electric GmbH & Co. KG D-32339 Espelkamp	Title				Doc-Key / ECM-Nr.
	Han TC650 female contact, 150mm ²				100215981/UGD/003/B 500000083632
Type	Number	Rev.			Page
TB	09 11 000 6264	B			1/1