

6

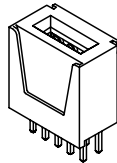
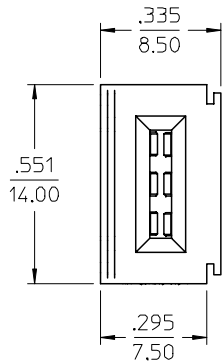
5

4

3

2

1



NOTES:

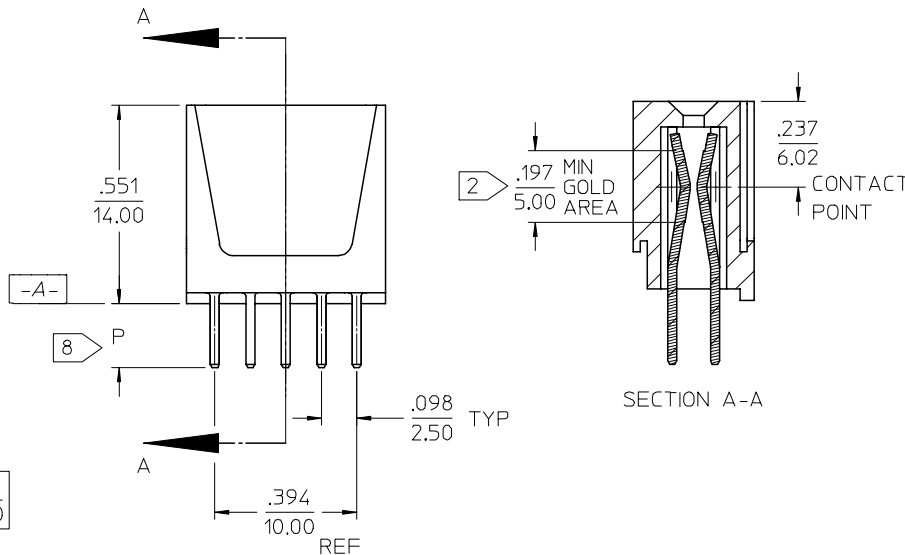
- HOUSING MAT'L: LCP, GLASS FILLED, UL 94V-0, BLACK
- CONTACT MAT'L: COPPER ALLOY
FINISH: SELECT GOLD - 30 MI MIN
SELECT TIN - 150 MI MIN
BOTH OVER NICKEL - 50 MI MIN
GOLD TO BE SPECIFIED THK IN THIS AREA
- PRODUCT SPECIFICATION: PS-45424-001
- PACKAGING SPECIFICATION: PK-45483-001
- THIS MODULE INTERLOCKS WITH ALL STANDARD MOLEX POWER DOCK MODULES.
- DATUM -A- IS THE CONNECTOR MOUNTING SURFACE.
- THE PRIMARY SHIPPING CARTON WILL BE LABELED "COMPLIANT TO RoHS DIRECTIVE 2000/95/EC AND ELV ANNEX II OF DIRECTIVE 2000/53/EC". CARTONS WITHOUT THIS LABEL MAY CONTAIN PRODUCT WITH TIN/LEAD PLATING.
- PC TAILS MAY BE BLUNT CUT TO LENGTH.

D

D

C

C



SECTION A-A

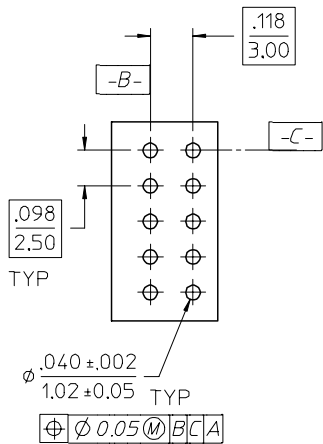
B

B

MATERIAL NO:	P	PCB THK
45500-0001	.177 4.50	.125 3.18
45500-0002	.143 3.60	.093 2.36
45500-0003	.115 2.92	.062 1.57

A

A



PCB LAYOUT: COMPONENT SIDE

EC NO: UCP2005-1042 DRWN:KSAMIEC CHKD: APPR:YMARGULI	DESCRIPTION	2005/03/21	2005/03/21	2005/03/24
		REV		

	GENERAL TOLERANCES (UNLESS SPECIFIED)	
	mm	INCH
4 PLACES	± .005	± .0004
3 PLACES	± .002	± .0001
2 PLACES	± 0.25	± .010
1 PLACE	± 0.50	± .020
ANGULAR		± 1/2°

DIMENSION STYLE		SCALE	DESIGN UNITS	THIRD ANGLE PROJECTION
IN/MM		2:1	METRIC	
DRAWN BY	DATE	TITLE POWER DOCK MODULE POWER SOCKET 250 V VERTICAL SOLDER TAIL MOLEX INCORPORATED		
KSAMIEC	2003/02/06			
CHECKED BY	DATE			
MARGULI S	2003/02/06			
APPROVED BY	DATE	DOCUMENT NO. SHEET NO.		
MARGULI S	2003/02/06			

DRAFT WHERE APPLICABLE MUST REMAIN WITHIN DIMENSIONS		SIZE A	THIS DRAWING CONTAINS INFORMATION THAT IS PROPRIETARY TO MOLEX INCORPORATED AND SHOULD NOT BE USED WITHOUT WRITTEN PERMISSION	
--	--	--------	---	--

5

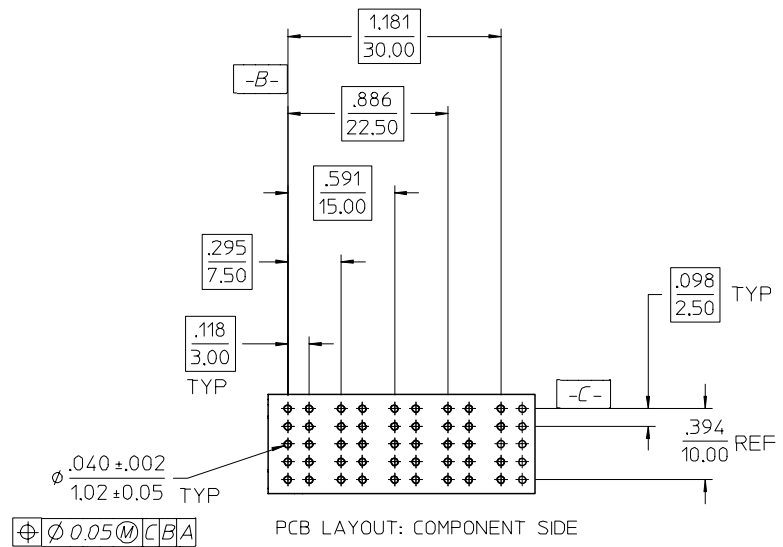
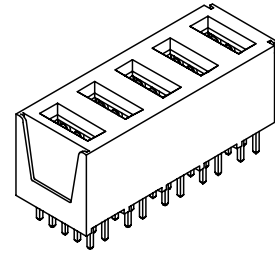
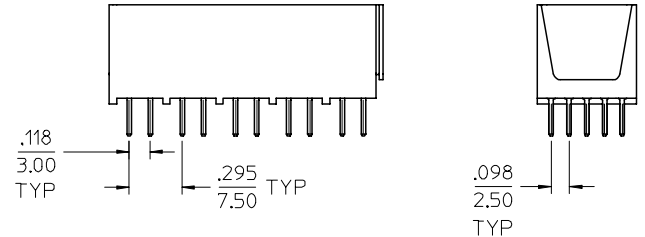
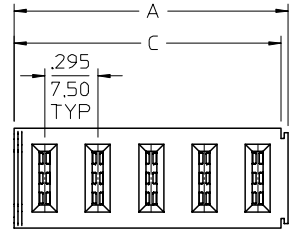
4

3

2

1

CKTS	A	C
2	.630 16.00	.590 15.00
3	.925 23.50	.886 22.50
4	1.220 31.00	1.181 30.00
5	1.516 38.50	1.476 37.50



CKT	MATERIAL No	P	PCB THK
2	45500-2001	.177 4.50	.125 3.18
3	45500-3001		
4	45500-4001		
5	45500-5001	.143 3.60	.093 2.36
2	45500-2002		
3	45500-3002		
4	45500-4002	.115 2.92	.062 1.57
5	45500-5002		
2	45500-2003		
3	45500-3003	.115 2.92	.062 1.57
4	45500-4003		
5	45500-5003		

⊕ ⌀ 0.05 Ⓜ CBA

EC NO: UCP2005-1042	2005/03/21	DESCRIPTION
DRWN: KSAMIEC	2005/03/21	
CHKD: CHFKD	2005/03/21	
APPR: YMARGULI	2005/03/24	
D	REV	

GENERAL TOLERANCES (UNLESS SPECIFIED)	
mm	INCH
4 PLACES ± ---	± ---
3 PLACES ± ---	± ---
2 PLACES ± 0.25	± ---
1 PLACE ± 0.50	± ---
ANGULAR ± 1/2°	
DRAFT WHERE APPLICABLE MUST REMAIN WITHIN DIMENSIONS	

DIMENSION STYLE	
IN/MM	
DRAWN BY	DATE
KSAMIEC	2003/02/06
CHECKED BY	DATE
MARGULIS	2003/02/06
APPROVED BY	DATE
MARGULIS	2003/02/06
MATERIAL NO.	

SCALE 1:1	DESIGN UNITS METRIC	THIRD ANGLE PROJECTION
TITLE		
POWER DOCK MODULE POWER SOCKET 250 V VERICAL SOLDER TAIL		
MOLEX INCORPORATED		
DOCUMENT NO. SD-45500-001	SHEET NO. 2	