

THIS DRAWING IS UNPUBLISHED.

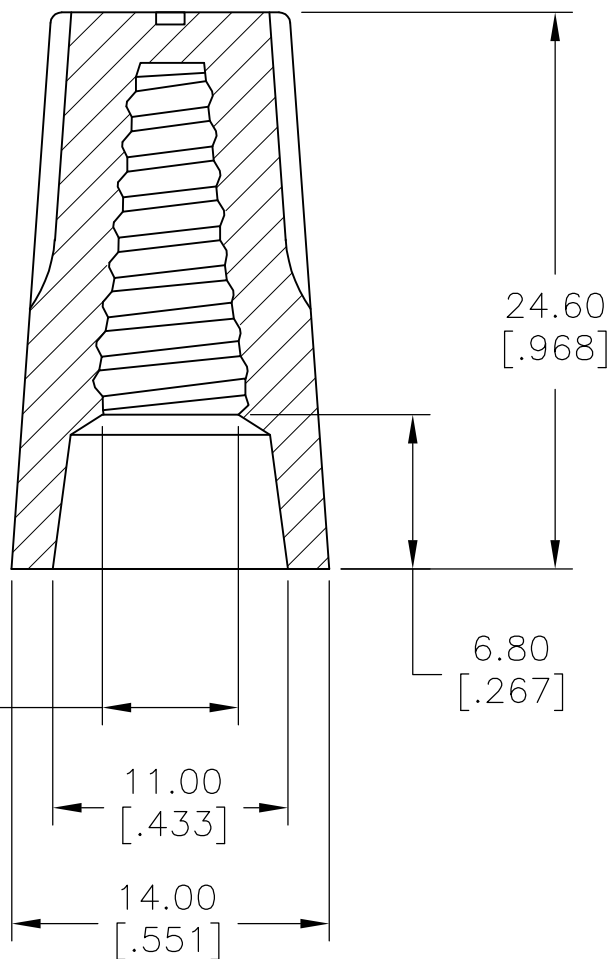
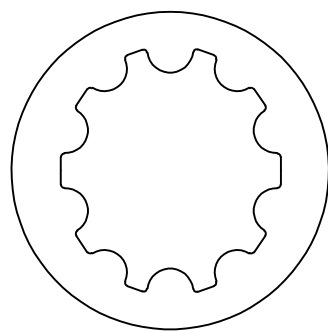
RELEASED FOR PUBLICATION

© COPYRIGHT - By -

ALL RIGHTS RESERVED.


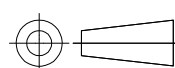
REVISIONS

P	LTR	DESCRIPTION	DATE	DWN	APVD
	A	NEW DRAWING	16JAN2016	NK	RH



- 1 WORKING TEMPERATURE: 105° C
- 2 VOLTAGE: 300/600V MAX
- 3 COLOR: YELLOW
- 4 WIRE RANGE: #22-#10AWG MAX.2#12 W/2#14 MIN.3#20 SOL
- 5 SPRING INSERT: STEEL

2299505-1 AS SHOWN

THIS DRAWING IS A CONTROLLED DOCUMENT.		DWN NAGALAKSHMI K 16JAN2016	 <b>TE Connectivity</b>		
DIMENSIONS: mm [INCHES]		CHK HILL RYAN 16JAN2016			
TOLERANCES UNLESS OTHERWISE SPECIFIED:		APVD HILL RYAN 16JAN2016	NAME		
		PRODUCT SPEC	CPGI-WC-WG-YW-BULK		
0 PLC ± - 1 PLC ± 0.2[.007] 2 PLC ± 0.4[.015] 3 PLC ± - 4 PLC ± - ANGLES ± -		APPLICATION SPEC	SIZE	CAGE CODE	DRAWING NO
MATERIAL TOUGH THERMOPLASTIC UL 94V-2 FLAME-RETARDANT		FINISH	—	A300779	C-2299505
		WEIGHT	RESTRICTED TO		
		CUSTOMER DRAWING		SCALE	SHEET
				3:1	1 OF 1
				REV	A