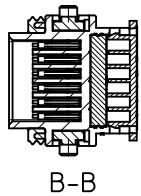
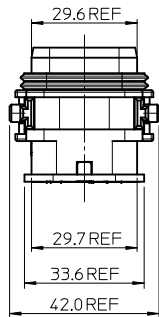
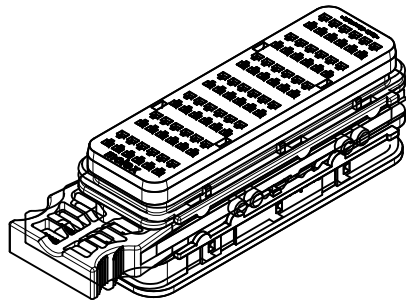
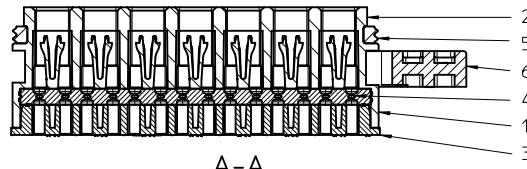
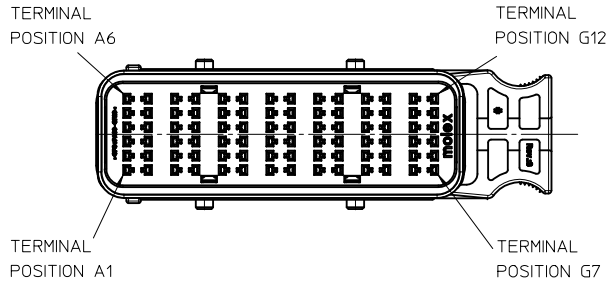


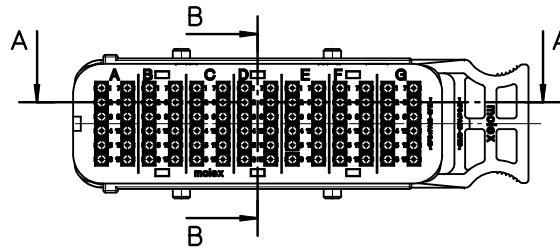
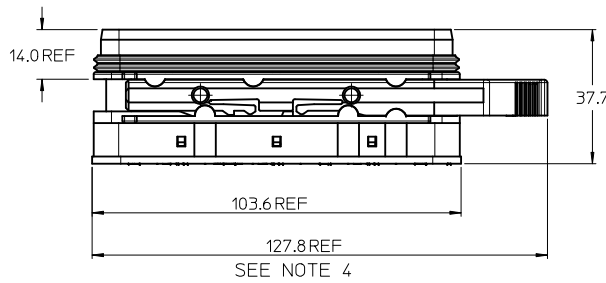
TPA IN FULL-LOCK (AS SHIPPED) POSITION
AND LATCH IN CLOSED POSITION



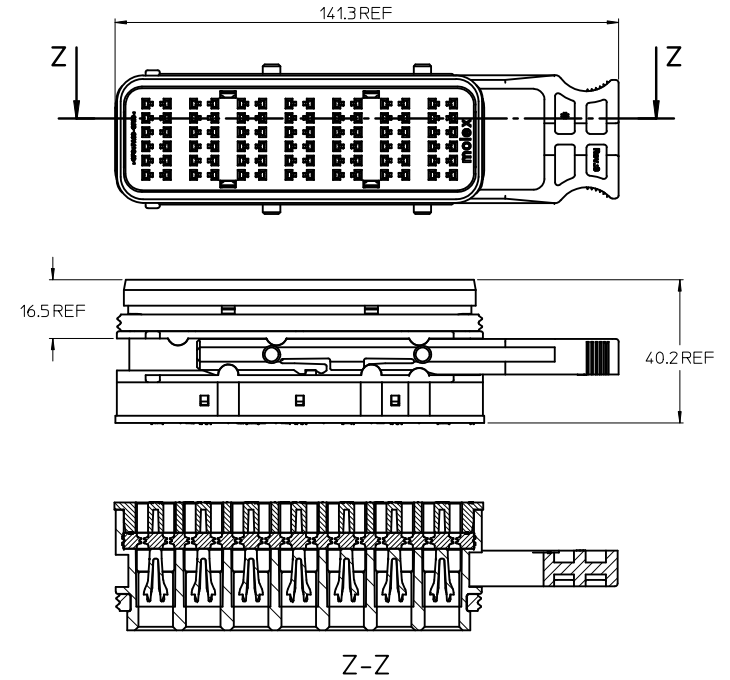
B-B



A-A



TPA IN PRE-LOAD POSITION
AND LATCH IN OPEN POSITION



NOTES:

1. MATERIALS: HOUSING: POLYSTYRENE/NYLON BLEND, GLASS FILLED, UL 94 HB
SEALS: LIQUID SILICONE RUBBER
2. MX150 RECEPTACLE TERMINALS PER SD-33012-001 TO BE USED WITH THIS ASSEMBLY
CRIMPED WITH CABLE INSULATION OUTER DIAMETER IN THE RANGE 1.5mm TO 2.69mm
3. PRODUCT SPECIFICATION: PS-85070-001
4. PACKAGING SPECIFICATION: PK-85070-001; LATCH SHIPPED IN PARTIALLY OPEN POSITION
5. MATES WITH: SRC BLADE HOUSING ASSEMBLY PER SD-85071-100
6. APPLICATION SPECIFICATION: AS-85070-001
7. CONDUIT INTERFACE OPTIONS: REFER TO SD-93286-001

No.	DESCRIPTION	QTY.	COLOUR
6	SLIDING LATCH	1	BLACK
5	FEMALE FRONT SEAL	1	RED
4	FEMALE BACK SEAL	1	BLACK
3	FEMALE REAR COVER	1	BLACK
2	FEMALE FRONT COVER	1	BLACK
1	FEMALE HOUSING	1	BLACK
BILL OF MATERIAL			

REV	DESCRIPTION	QUALITY SYMBOLS		GENERAL TOLERANCES (UNLESS SPECIFIED)		DIMENSION STYLE		SCALE	DESIGN UNITS	THIRD ANGLE PROJECTION
		mm	INCH	MM ONLY	TITLE	1:1	METRIC	☉		
ADD NOTE 7 & CHG ISO		▽=0		4 PLACES ± .005	± .005	DRAWN BY	DATE			
EC NO: WEU2012-0136	2012/02/07	▽=0		3 PLACES ± .020	± .020	CSEBASTIAN	2007/07/27			
DRWN:DSHEA	2012/02/10			2 PLACES ± 0.5	± .005	CHECKED BY	DATE			
CHKD:JWALLACE	2012/02/10			1 PLACE ± 0.5	± .005	MMUELLER	2007/08/21			
APPR:LEOLAN	2012/02/22			ANGULAR ± .5°		APPROVED BY	DATE			
						TREMHOF	2007/08/21			
						MATERIAL NO.				
						850700500				
						DOCUMENT NO.				
						SD-85070-500				
						SHEET NO.				
						1 OF 1				

DRAFT WHERE APPLICABLE
MUST REMAIN
WITHIN DIMENSIONS

THIS DRAWING CONTAINS INFORMATION THAT IS PROPRIETARY TO MOLEX
INCORPORATED AND SHOULD NOT BE USED WITHOUT WRITTEN PERMISSION