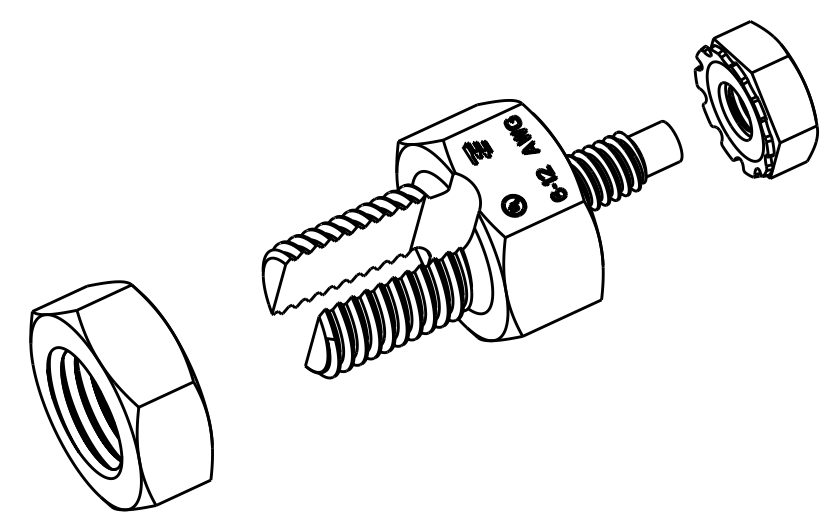


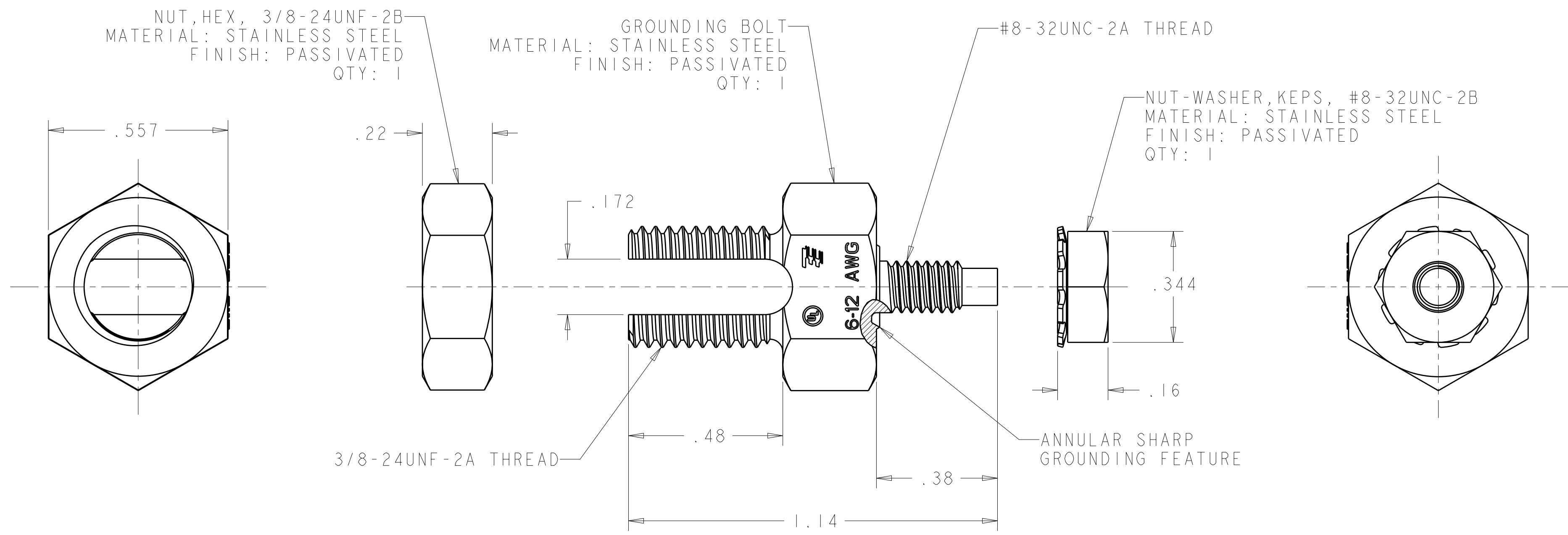
THIS DRAWING IS UNPUBLISHED. RELEASED FOR PUBLICATION 20
 © COPYRIGHT 20 BY TYCO ELECTRONICS CORPORATION. ALL RIGHTS RESERVED.

LOC		DIST		REVISIONS			
P	LTR	DESCRIPTION	DATE	DWN	APVD		
	B	REVISED ECO-10-006100	22MAR2010	SW	MS		



SCALE 2:1

1. PARTS PACKAGED UNASSEMBLED.
2. PARTS INDIVIDUALLY BULK PACKED & SHIPPED AS A UNIT PACKAGE.
3. THIS PRODUCT HAS COMPLETED UL CERTIFICATION FOR GROUNDING AND BONDING EQUIPMENT (E69905).
4. INSTRUCTION SHEET 408-10262.



2058729-1
PART NO

<small>THIS DRAWING IS A CONTROLLED DOCUMENT FOR TYCO ELECTRONICS CORPORATION. IT IS SUBJECT TO CHANGE AND THE CONTROLLING ENGINEERING ORGANIZATION SHOULD BE CONTACTED FOR THE LATEST REVISION.</small>		DWN D.E. STAHL 05NOV2008 CHK S. GOOD 05NOV2008 APVD S. GHERARDINI 05NOV2008	Tyco Electronics Harrisburg, PA 17105-3608
DIMENSIONS: INCHES 	TOLERANCES UNLESS OTHERWISE SPECIFIED: 0 PLC ±.1 1 PLC ±.02 2 PLC ±.010 3 PLC ±.010 4 PLC ±.010 ANGLES ±.	PRODUCT SPEC 108-2380 APPLICATION SPEC 114-13242 4	NAME WIRE GROUNDING ASSEMBLY 6-12 AWG, SOLID WIRE
MATERIAL SEE CALLOUTS	FINISH SEE CALLOUTS	WEIGHT -	SIZE A200779 CAGE CODE C-2058729 DRAWING NO 2058729-1 RESTRICTED TO -
CUSTOMER DRAWING		SCALE 4:1	SHEET 1 OF 1 REV B