

4

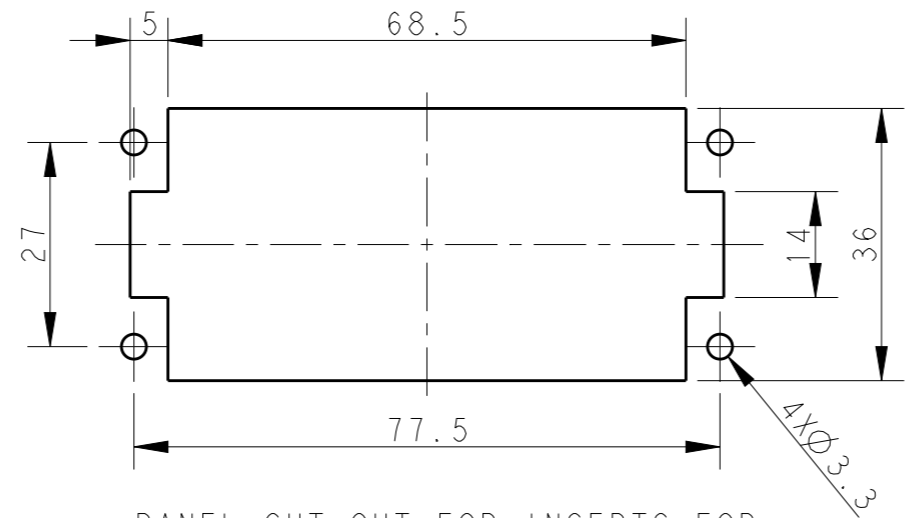
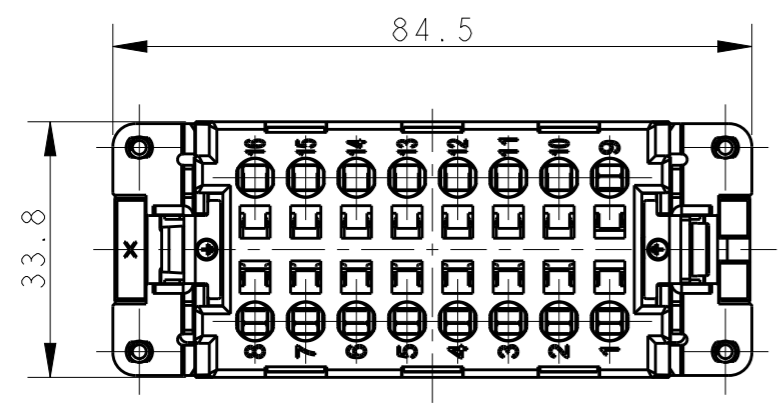
3

2

1

THIS DRAWING IS UNPUBLISHED. RELEASED FOR PUBLICATION 20
 © COPYRIGHT 20 BY - ALL RIGHTS RESERVED.

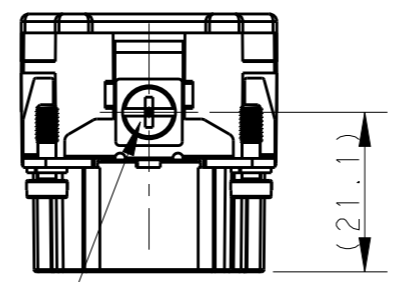
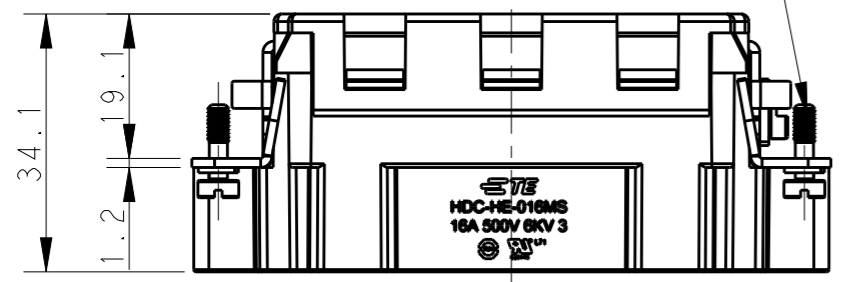
REVISIONS					
P	LTR	DESCRIPTION	DATE	DWN	APVD
A		INITIAL RELEASE	15APR2015	CY	CW
B		ECR-15-013759	09OCT2015	DW	CW
B1		ECR-16-009892	13JUL2016	RL	CW



4X M3 SCREW RECOMMENDED
 TIGHTENING TORQUE 0.5Nm
 4 X M3螺丝, 推荐扭力矩为 0.5Nm

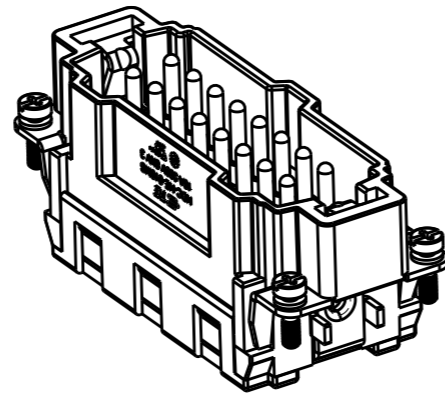
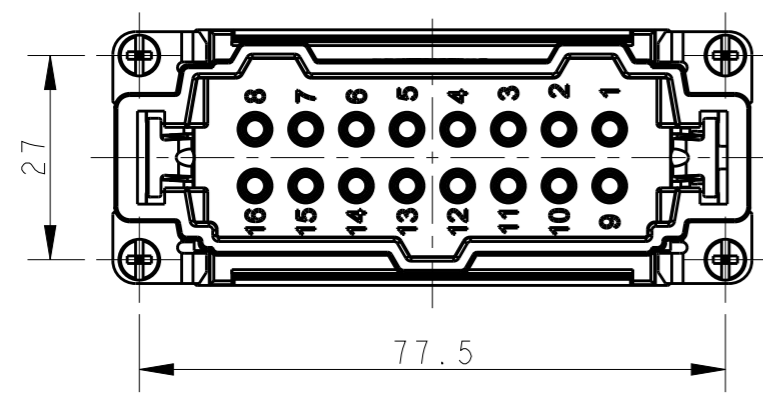
PANEL CUT OUT FOR INSERTS FOR
 USE WITHOUT HOODS/HOUSING
 不使用防护外壳时芯件的安装开孔图

NOTES:
 1. TECHNICAL CHARACTERISTICS:
 INSULATION MATERIAL: PC
 RATED VOLTAGE: 500V
 RATED CURRENT: 16A
 INSULATION RESISTANCE: $\geq 400M\Omega$
 RATED IMPULSE VOLTAGE: 6KV
 POLLUTION DEGREE: 3
 FLAMMABILITY: UL94V-0
 MATING CYCLES: 500 CYCLES
 WIRE RANGE: 0.5mm²~2.5mm² (AWG20-AWG14)
 CONTACT FINISH: SILVER PLATED
 CONTACT TYPE: SPRING CLAMP



M4 SCREW, RECOMMENDED
 TIGHTENING TORQUE 1.2Nm
 M4螺丝, 推荐扭力矩为1.2Nm

注释:
 1. 技术参数:
 绝缘材料: PC
 额定电压: 500V
 额定电流: 16A
 绝缘电阻: $\geq 400M\Omega$
 脉冲电压: 6KV
 污染等级: 3
 阻燃等级: UL94V-0
 插拔次数: 500 次
 接线范围: 0.5mm²~2.5mm² (AWG20-AWG14)
 端子表面处理: 镀银
 接线类型: 弹片压接



T2040163101-001	HE-016-MS	HE-016 MALE INSERT, STAINLESS STEEL SCREW, SPRING CLAMP HE-016公插,带不锈钢螺丝,弹片	STAINLESS STEEL	STAINLESS STEEL
T2040163101-000	HE-016-MS	HE-016 MALE INSERT, SPRING CLAMP HE-016公插,弹片	STEEL	STEEL
PART NUMBER 料号	PART DESCRIPTION 描述	FIXING SCREW MAT'L 压线螺丝材质	GROUND CONTACT SCREW MAT'L 接地连接螺丝材质	

THIS DRAWING IS A CONTROLLED DOCUMENT.

DIMENSIONS: mm	TOLERANCES UNLESS OTHERWISE SPECIFIED: 0 PLC ± 1 PLC ± 2 PLC ± 3 PLC ± 4 PLC ± ANGLES ±	MATERIAL -	FINISH -
DWN Gino.Yao 15APR2015 CHK Chris.Wang 15APR2015 APVD Xiang.Xu 15APR2015 PRODUCT SPEC 108-137044 APPLICATION SPEC 114-137044 WEIGHT -		NAME HE-016-MS SIZE A3 CAGE CODE 00779 DRAWING NO. T2040163101000 RESTRICTED TO - SCALE 4:5 SHEET 1 OF 1 REV B1	

Customer Drawing

