

GPS Active Antenna Module - Magnet Base



38.3 X 35 X 12mm

APAMP-125

RoHS/RoHS II compliant
Lead in copper alloy exemption (6c); and Lead in glass exemption (7c-1)

MSL level: Not Applicable

FEATURES:

- High Reliability/Sensitivity
- Compact Size
- Easy to install (magnet base)
- ROHS Compliant

TYPICAL APPLICATIONS:

- Automotive Navigation
- Automotive Monitoring
- Personal Tracking

STANDARD SPECIFICATIONS:

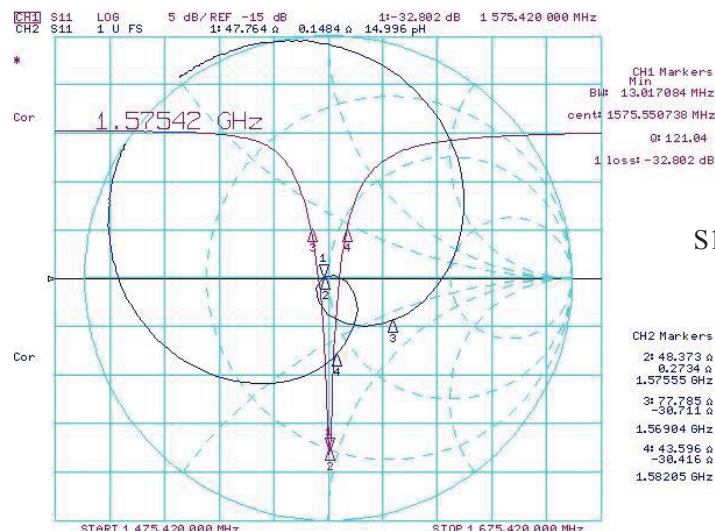
Antenna

| Parameters | Min. | Typ. | Max. | Units | Note |
|--------------------------|---------|---------|---------|--------------------|------------------------------------|
| Center Frequency | 1574.40 | 1575.42 | 1576.44 | MHz | |
| Bandwidth | 10.0 | | | MHz | |
| VSWR at Center Frequency | | | 1.5:1 | | |
| Polarization Model | RHCP | | | | (Right Hand Circular Polarization) |
| Impedance | | 50 | | Ω | |
| Gain | | 5 | | dBic | (Based on 70x 70mm ground plane) |
| Operating Temperature | -40 | | +80 | $^{\circ}\text{C}$ | |
| Storage Temperature | -45 | | +85 | $^{\circ}\text{C}$ | |

Low Noise Amplifier (LNA)

| Parameters | Min. | Typ. | Max. | Units | Note |
|------------------|---------|---------|---------|-------|--|
| Center Frequency | 1574.40 | 1575.42 | 1576.44 | MHz | |
| DC Voltage | 3.0 | | 5.0 | V | |
| Gain | 25 | 27 | 29 | dB | (+25 $^{\circ}\text{C} \pm 10^{\circ}\text{C}$) |
| Output VSWR | | | 2.0 | | |
| Noise Figure | | | 1.5 | | (+25 $^{\circ}\text{C} \pm 10^{\circ}\text{C}$) |
| DC current | | 13.5 | 15.5 | mA | (At 5.0V) |

ANTENNA'S IMPEDANCE AND RETURN-LOSS CHARACTERISTICS



S11: Input VSWR

Test condition: 25x25mm ground

ABRACON IS
ISO9001:2008
CERTIFIED



Visit www.abracon.com for Terms & Conditions of Sale **Revised: 10.27.14**
30332 Esperanza, Rancho Santa Margarita, California 92688
tel 949-546-8000 | fax 949-546-8001 | www.abracon.com

GPS Active Antenna Module - Magnet Base

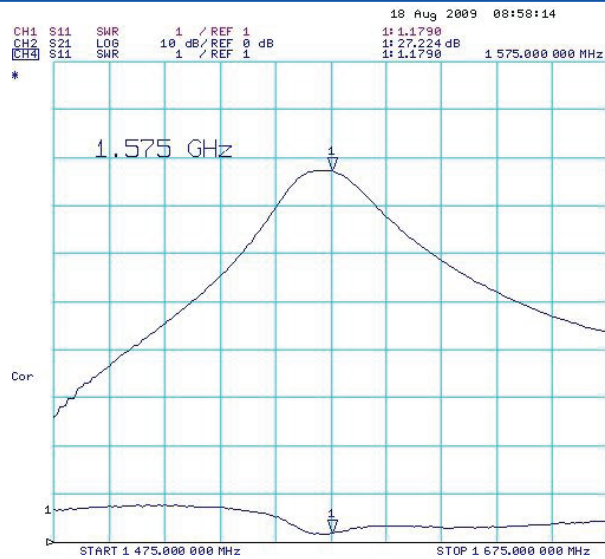
APAMP-125

RoHS/RoHS II compliant
Lead in copper alloy exemption (6c); and Lead in glass exemption (7c-1)



38.3 X 35 X 12mm

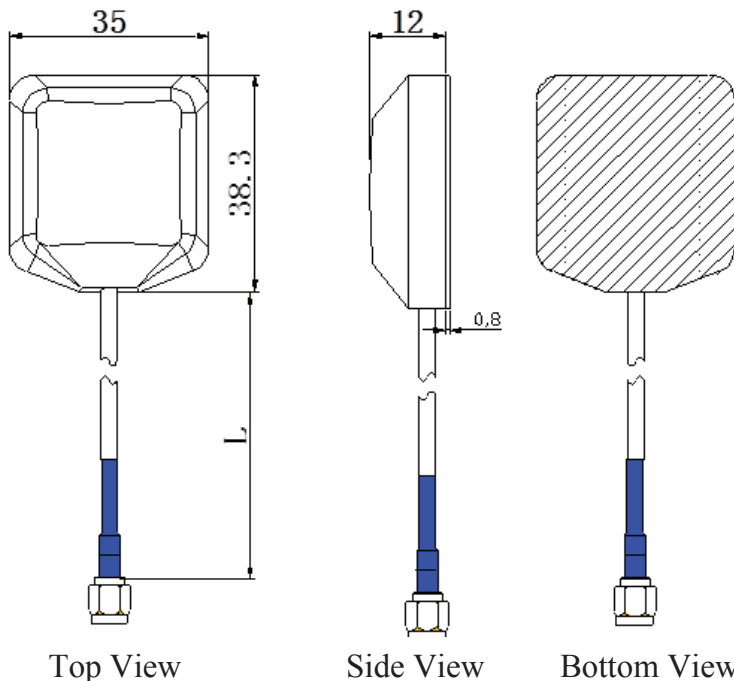
LNA REFLECTION PROFILE



S21: LNA Gain

Test condition: DC 5.0V

OUTLINE DRAWING:



| Parameters | Description |
|------------------|--------------------|
| L (Cable Length) | 300±10cm |
| Antenna | Dielectric Ceramic |
| RF Cable | RG174 |
| PCB | FR4 |
| RF Connector | SMA-J3 |
| Shielding | Tinplate |
| Thickness | 13mm |
| Mounting Type | Magnet Base |

Unit:mm

GPS Active Antenna Module - Magnet Base

APAMP-125

RoHS/RoHS II compliant
Lead in copper alloy exemption (6c); and Lead in glass exemption (7c-1)



38.3 X 35 X 12mm

PRODUCT IMAGE:



PACKAGING:

Each 475 x 215 x 215 mm size carton includes 100 pieces of antenna.



CAUTION:

- (1) Do not apply excess mechanical stress to the component body or terminations. Do not attempt to re-form or bend the components as this will cause damage to the component.
- (2) Do not expose the component to open flame.
- (3) This specification applies to the functionality of the component as a single unit. Please insure the component is thoroughly evaluated in the application circuit.

ATTENTION: Abracon Corporation's products are COTS – Commercial-Off-The-Shelf products; suitable for Commercial, Industrial and, where designated, Automotive Applications. Abracon's products are not specifically designed for Military, Aviation, Aerospace, Life-dependant Medical applications or any application requiring high reliability where component failure could result in loss of life and/or property. For applications requiring high reliability and/or presenting an extreme operating environment, written consent and authorization from Abracon Corporation is required. Please contact Abracon Corporation for more information.

ABRACON IS
ISO9001:2008
CERTIFIED



Visit www.abracon.com for Terms & Conditions of Sale **Revised: 10.27.14**
30332 Esperanza, Rancho Santa Margarita, California 92688
tel 949-546-8000 | fax 949-546-8001 | www.abracon.com