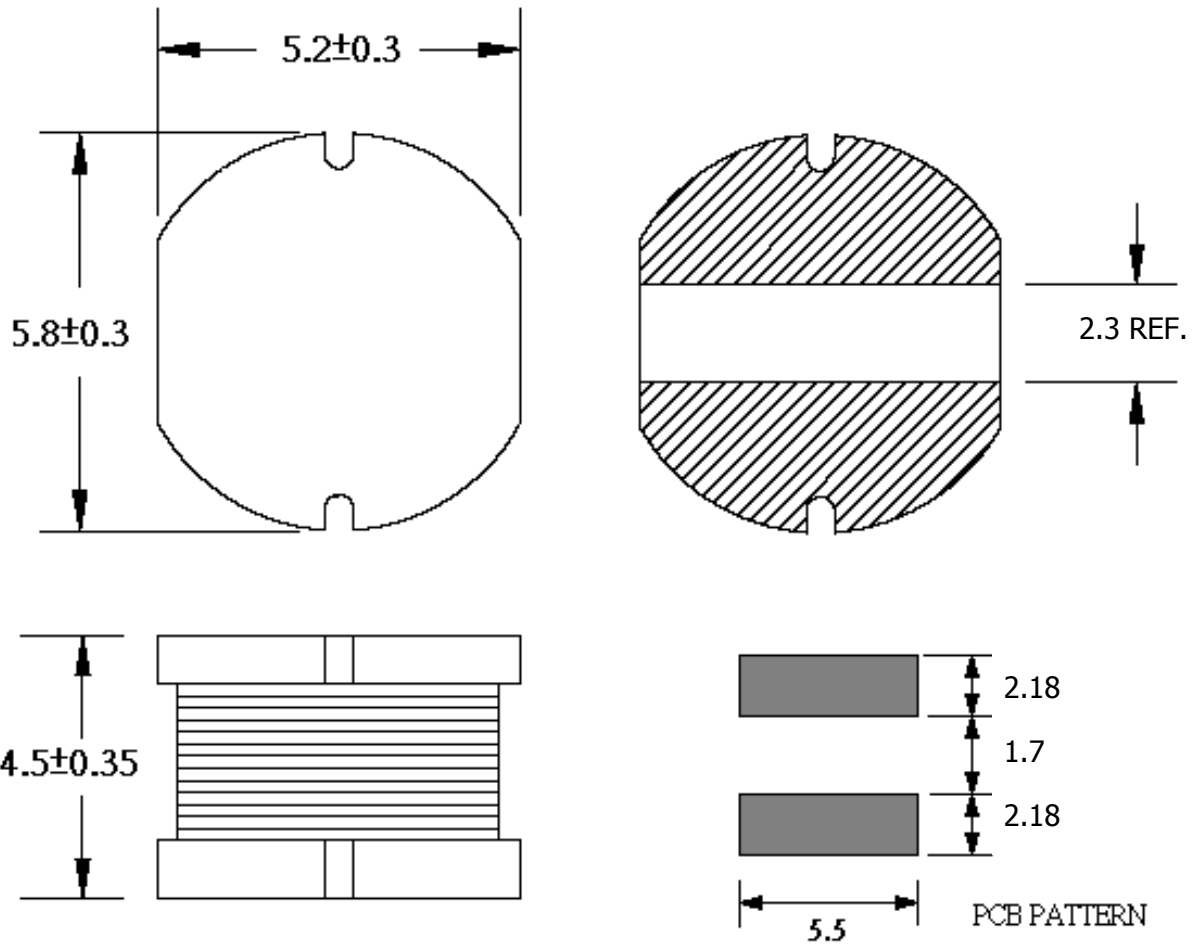


TCK-063



All dimensions in mm

SPECIFICATIONS

Inductance	$27\mu\text{H} \pm 20\%$
	Test Condition: 100 KHz/1000mV Measurement Instrument: HP 4263B LCR Meter
Impedance	DCR(Max): 200mΩ
	Measurement Instrument: HIOKI 3540 mΩ Hitester
Rated Current	IDC(Max): 0.97A
	Measurement Instrument: Agilent 34401A Meter
Operating temperature	$-40^{\circ}\text{C} \sim +125^{\circ}\text{C}$