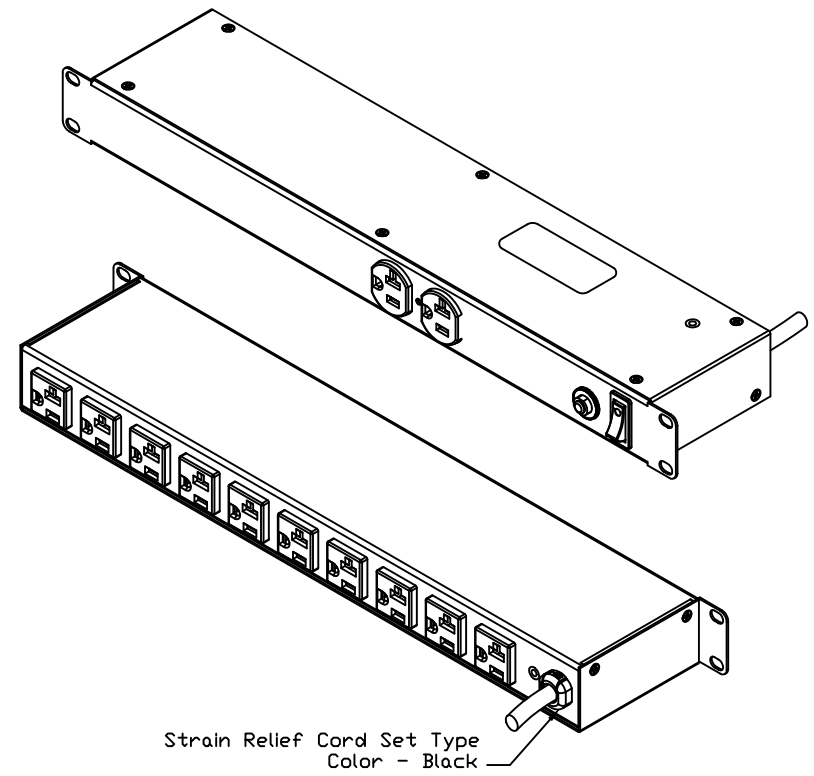
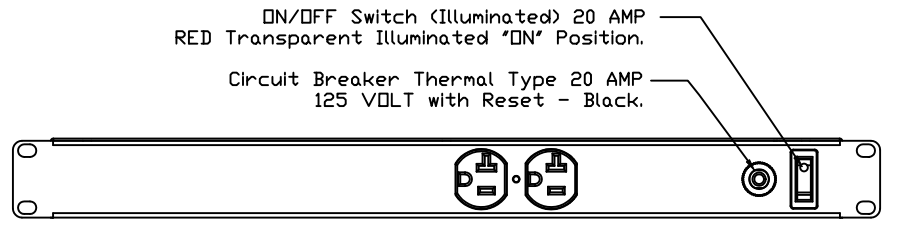
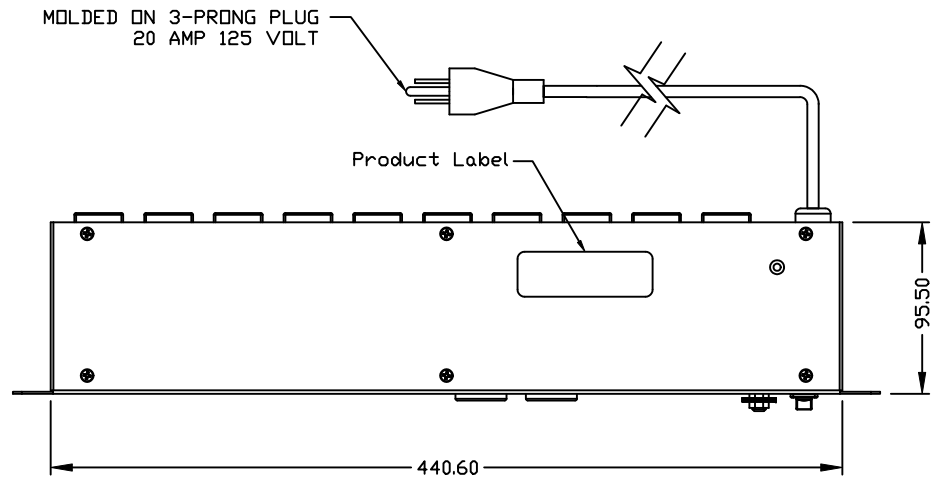
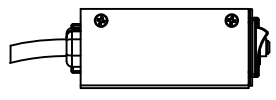
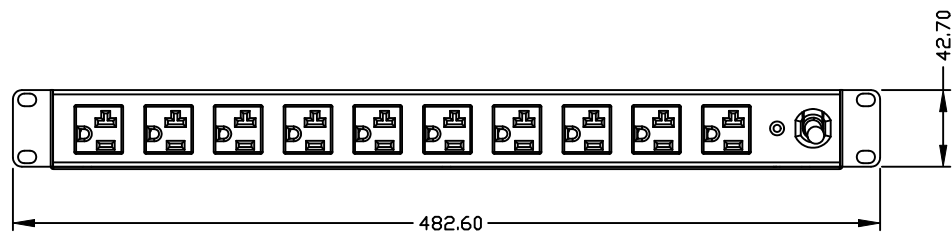


| REVISIONS |      |                        |           |          |
|-----------|------|------------------------|-----------|----------|
| ZONE      | REV. | DESCRIPTION            | DATE      | APPROVED |
|           | X    | Outlet Definition      |           | WB       |
|           | 1    | Safety and Regulatory  | 2/19/2016 | WB       |
|           | 2    | Production Level Spec. | 3/21/2016 | WB       |



|                       |   |
|-----------------------|---|
| Part Description      | 1U Rack Mount PDU, 12 Outlets (2 Front & 10 Rear), 20A WMP, Circuit Breaker |
| Delta Part Number     | PD1220-RM   |
| Finish                | Powder Coat Black   |
| Safety                | UL1363 (UR Status)  |
| Cord Length & AWG     | 15' (12 AWG x 3)  |
| Connector - AC Input  | NEMA 5-20P  |
| Connector - AC Output | NEMA 5-20R  |



THESE DRAWINGS AND SPECIFICATIONS ARE THE PROPERTY OF DELTA ELECTRONICS, INC. AND SHALL NOT BE REPRODUCED OR USED AS THE BASIS FOR THE MANUFACTURE OR SELL OF APPARATUS OR DEVICES WITHOUT PERMISSION.

|                        |       |             |       |        |        |
|------------------------|-------|-------------|-------|--------|--------|
| DIMENSIONAL TOLERANCES |       | MILLIMETERS |       | INCHES |        |
| CS                     | ±0.25 | DRILL       | ±0.10 | ±0.005 | ±0.002 |
| 2P-20P                 | ±0.25 | 2           | ±0.25 | ±0.25  | ±0.25  |
| 20P-20P                | ±0.25 | XX          | ±0.25 | ±0.25  | ±0.25  |
| 20P-20P                | ±0.25 | XX          | ±0.25 | ±0.25  | ±0.25  |

|             |              |                         |                      |
|-------------|--------------|-------------------------|----------------------|
| Drawn       | ID-3D Design | Safety                  |                      |
| Design      |              | Layout                  |                      |
| Checked     |              | IE:                     |                      |
| Approved    | W. Bradshaw  | EE. Chiu                |                      |
| Material    | Steel        | EE. Apud                |                      |
| Description |              | 1U HORIZONTAL MOUNT PDU |                      |
| Part No.    | PD1220-RM    | REV.                    |                      |
| SIZE        | A2           | SHEET 1 OF 1            | ISSUE DATE 22 MAR 16 |