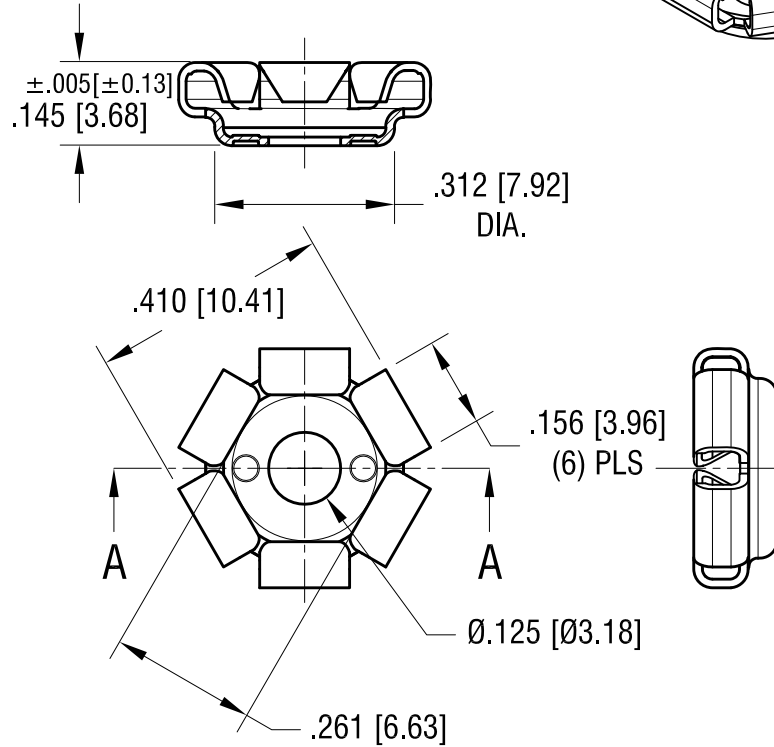


THIS DOCUMENT IS THE PROPERTY OF
KEYSTONE ELECTRONICS CORP. AND
SHALL NOT BE REPRODUCED, DISTRIBUTED
OR USED AS A BASIS FOR MANUFACTURE
WITHOUT PRIOR WRITTEN PERMISSION
FROM KEYSTONE ELECTRONICS CORP.

SECTION A-A



NOTE:
1. DIMENSIONS FOR REFERENCE ONLY

KEYSTONE ELECTRONICS CORP.			
www.keyelco.com • ASTORIA, N.Y. 11105-2017 • Tel (718) 956-8900			
PART NAME		SNAP-ON	
MATERIAL		.015 [0.38] TH'K SPRING BRASS	
FINISH		DRN BY	DATE
NICKEL PLATE		L.N.	2.9.82
		APP'D	SCALE
		LN	3X
TOLERANCES	INCH [MM]	CODE	DWG NO.
DECIMAL	$\pm .005$ [± 0.13]	C	270
ANGULAR	$\pm 1^\circ$		
UNLESS OTHERWISE SPECIFIED			

10.28.10	REDRAWN IN CAD FORMAT	REV.
DATE	DESCRIPTION	REV.