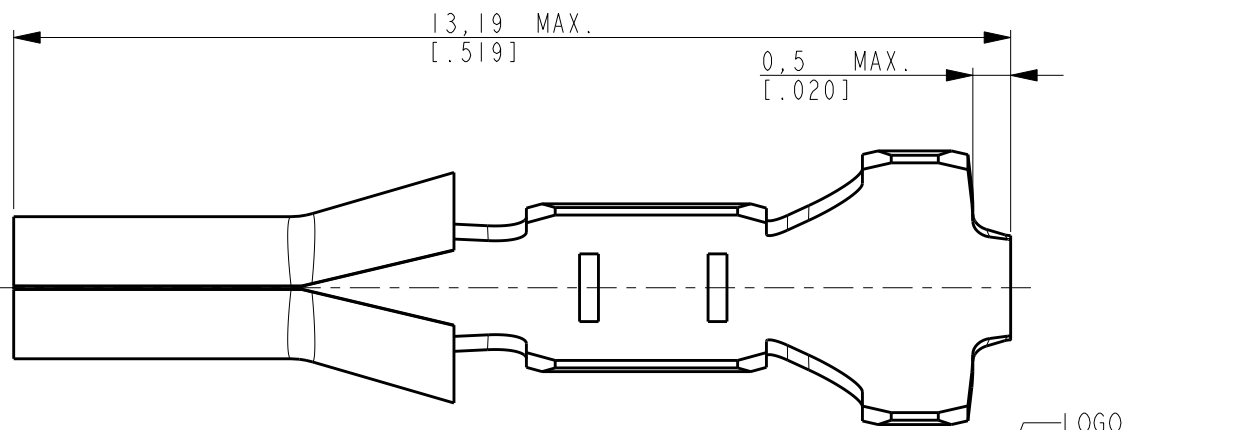
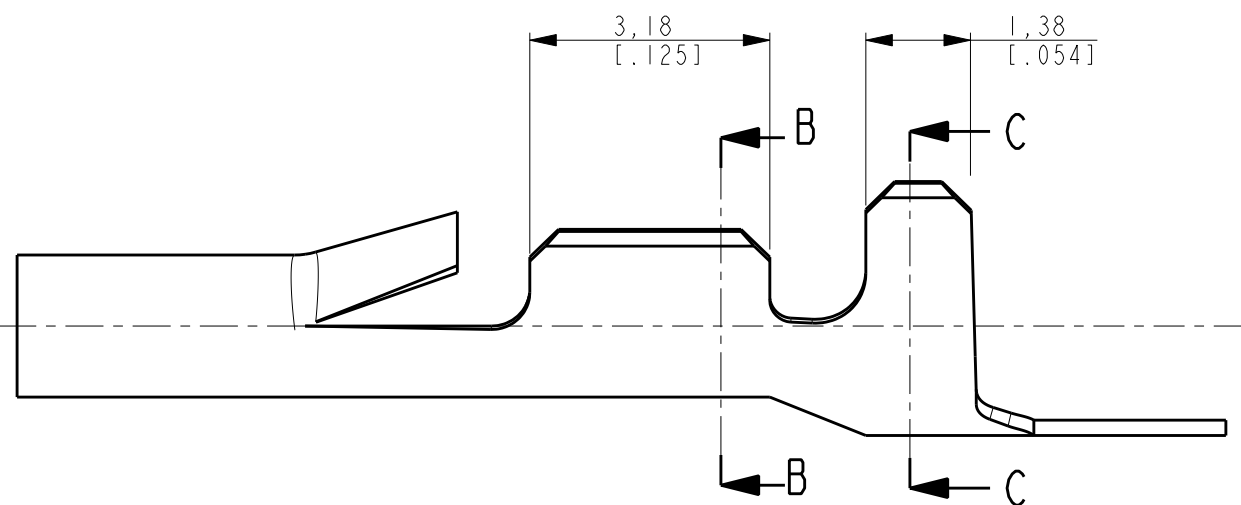
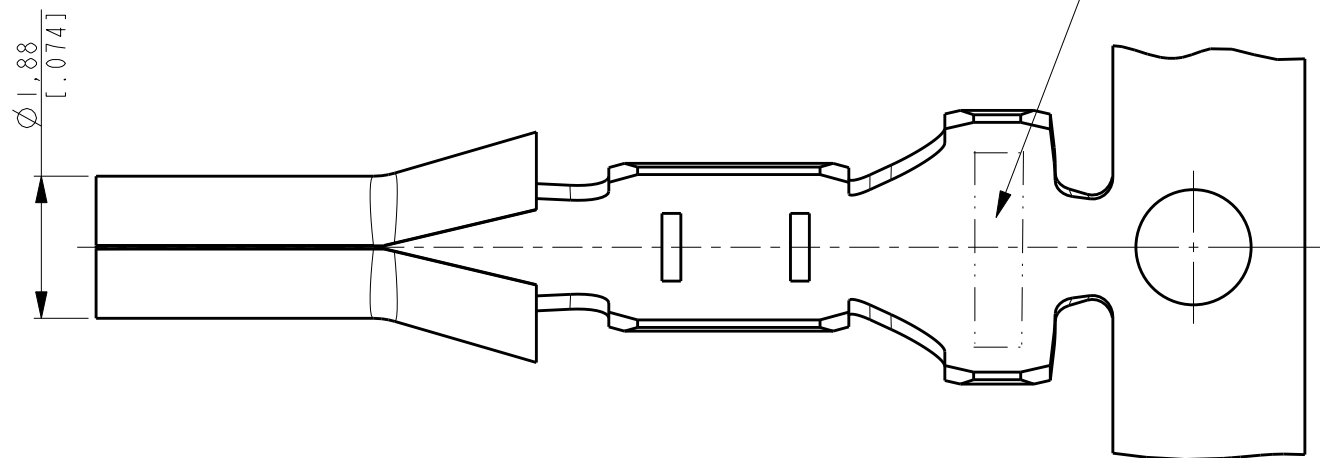


LOC	DIST	REVISIONS				
P	LTR	DESCRIPTION	DATE	DWN	APVD	
AP	-					
	L	REV. BY ECO-11-020077	18OCT2011	HC	WLS	



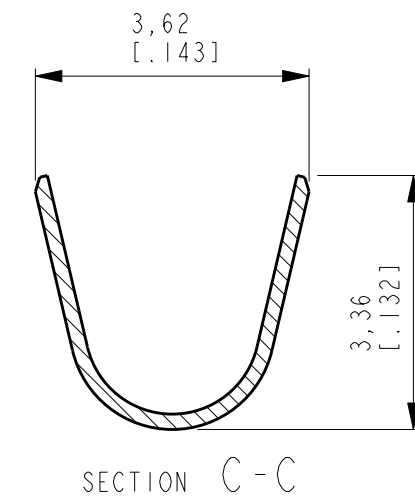
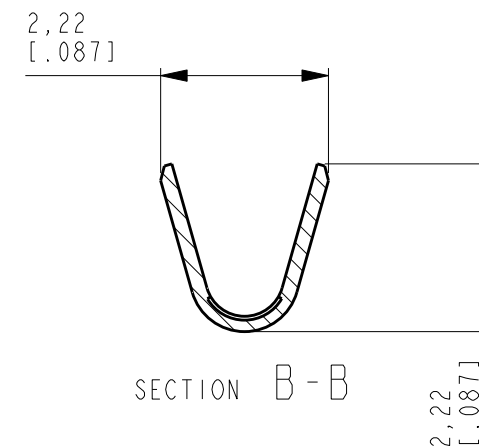
AFTER CUTOFF

LOGO

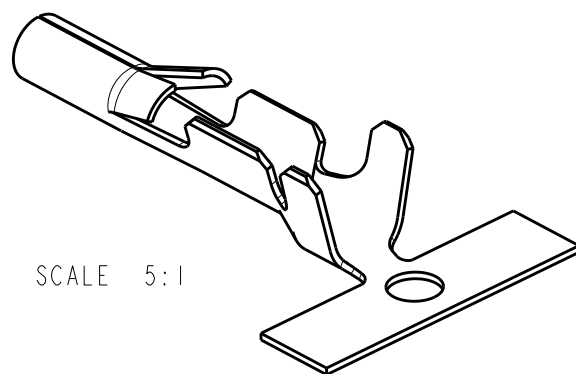


NOTES:

⚠ WIRE RANGE #22 TO #18 AWG; INSULATION RANGE 1,5 mm TO 2,8 mm [.060 TO .100 INCH]



FINISH	MATERIAL	DESCRIPTION	PARTNUMBER
POST-TIN OVER NICKEL	BRASS	LOOSE PIECE	61123-1
PRE-TIN	BRASS	STRIP PRODUCT	61064-3
PRE-TIN OVER NICKEL	BRASS	STRIP PRODUCT	61064-1



THIS DRAWING IS A CONTROLLED DOCUMENT.

DWN H.C. CANTERI 11NOV2009

CHK W.L. STEFANI 11NOV2009

APVD -

DIMENSIONS: mm [inch]

TOLERANCES UNLESS OTHERWISE SPECIFIED:

- 0 PLC ±-
- 1 PLC ±-
- 2 PLC ±0,31 (.012)
- 3 PLC ±-
- 4 PLC ±-
- ANGLES ±2°

MATERIAL SEE TABLE

FINISH SEE TABLE

PRODUCT SPEC -

APPLICATION SPEC -

WEIGHT -

CUSTOMER DRAWING

NAME .060 COMBOLINE SOCKET

SIZE A3 CAGE CODE 00779 DRAWING NO C-61064 RESTRICTED TO -

SCALE 10/11 SHEET 1 OF 1 REV L

