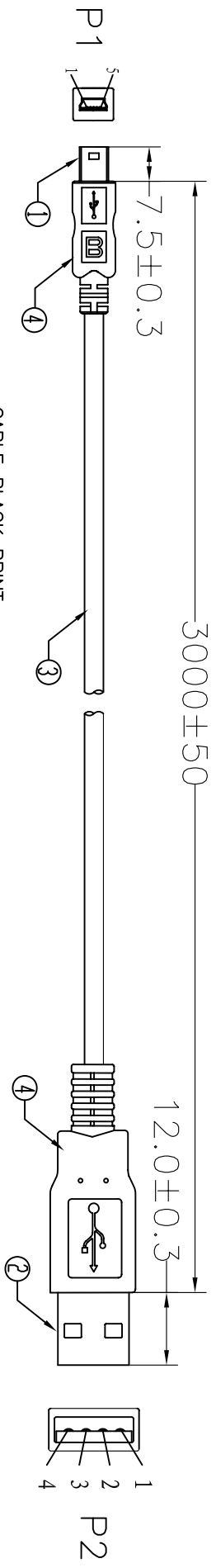
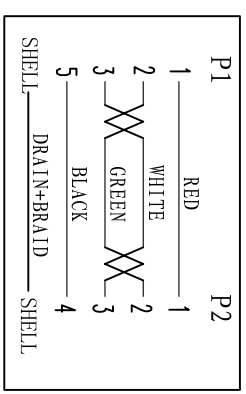


UNIT:mm

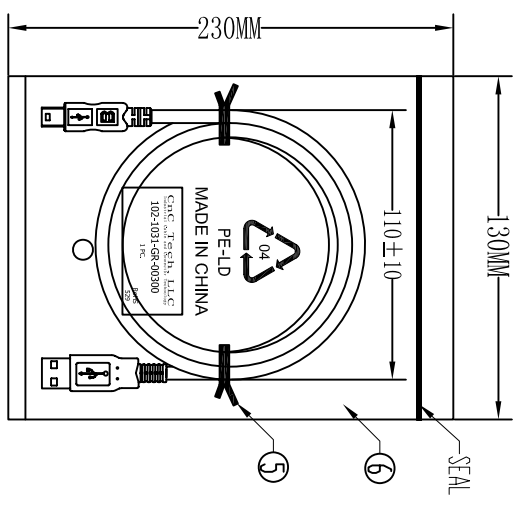


CABLE BLACK PRINT
 HI-SPEED USB Revision 2.0 SHIELDED 28AWG/1P+28AWG/2C
 E189529 AWM STYLE 2725 80°C 30V VW-1 VEGA TECH

PIN ASSIGNMENT:

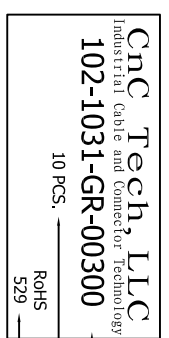


Electrical test:
 1. 100% short, open, miswire test
 2. Conduct resistance: 2 Ohm(max)
 3. Insulation resistance: 10Mohm(min)
 4. dielectric test: DC 300V



IPC/PE BAG

NOTE:
 1. 小PE袋/大PE袋对应料号,包袋数量及时间印刷样式:



2. 外箱两个侧唛ITEM NO后面各贴一个35*22mm ROHS标志。
 表示52/09年(按每次产品生产周期印)

①	PE BAG	1/10	CLEAR SIZE: 280*330*0.05mm PRINT BLACK"MADE IN CHINA"+10PCS"及印生产日期,有透气孔.
②	PE BAG	1	CLEAR SIZE: 130*230*0.05mm PRINT BLACK"MADE IN CHINA"+1PC"及印生产日期,有透气孔.
③	TIE	2	WHITE L=100mm
④	OUT JACKET	12g	GRAY(A-112#) PVC-50P (MOULD NO:WM-40 & WM-88)
⑤	CABLE	1	GRAY(A-112#) USB2.0 UL2725 28#/1P+28#/2C+AEB OD:3.8mm L=3000±15
⑥	CONN	1set	USB2.0 刺破式 ATYPE MALE SHELL:NICKEL PIN:GF 4PCS TYPE INSULATOR COLOR:WHITE
⑦	CONN	1set	USB2.0 刺破式 MINI 5P MALE SHELL:NICKEL PIN:GF 3PCS INSULATOR COLOR:BLACK

CnC Tech, LLC

Industrial Cable and Connector Technology

DRAWN	ZHONGHS	DRAWING NO	
CHECKED		CUSTOMER	
APPROVAL		ITEM NO.	102-1031-GR-00300
DECIDED		DATE	2012-02-15
VERSIONS/EDITION	A/0	PROJECTION	

4

3

2

1