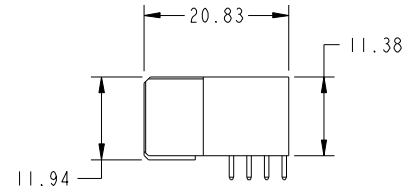
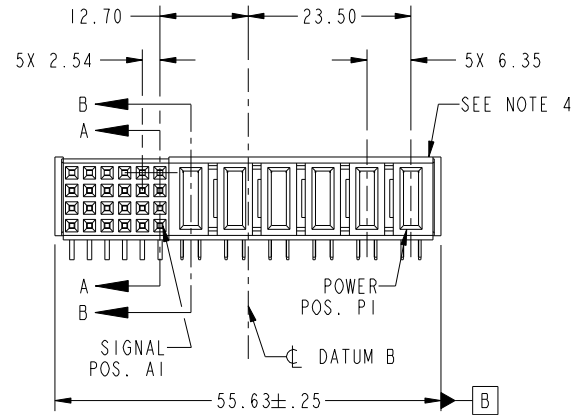


Tous droits strictement réservés. Reproduction ou communication a des tiers interdite sous quelque forme que ce soit sans autorisation écrite du propriétaire. Propriete de c FCI. Droits de reproduction FCI.



All rights strictly reserved. Reproduction or issue to third parties in any form whatever is not permitted without written authority from the proprietor. Property of FCI. Copyright FCI.

PRODUCT NO.	ROWS	SIGNAL						POWER					
		6	5	4	3	2	1	P6	P5	P4	P3	P2	P1
51776-003-- NOTE: 3	D C B A	H	H	H	H	H	H	PA	PA	PA	PC	PC	PA
		G	G	G	G	G	G						
		F	F	F	F	F	F						
		E	E	E	E	E	E						



CODE	DIM "M" MATING LENGTH	CONTACT TYPE
E	[N/A]	SIGNAL
F	[N/A]	SIGNAL
G	[N/A]	SIGNAL
H	[N/A]	SIGNAL
PA	[1.07]	POWER
PC	[2.34]	POWER

mat'l code				SEE NOTE 2		tolerances unless otherwise specified		CUSTOMER		FCI	
ltr	ecn no.	dr	date	linear	0.X ± 0.5	projection		COPY		www.fciconnect.com	
A	V21401	CGD	08/29/02		0.XX ± 0.25	MIM		title		6P + 24S	
B	DG10-0380	PB	11/06/10	angles	0.XXX ± 0.1	MIM		product family		PwrBlade	
				dr	0° ± 2°	scale		size		code	
				enrg	C. DAILY 08/29/02	1:1		dwg no		213	
				chr	M. MOSTOLLER 08/29/02			51776-003		sheet	
				appd	M. MOSTOLLER 08/29/02			A		1 of 4	
sheet index	revision sheet	B 1	B 2	B 3	B 4						

Pro/E

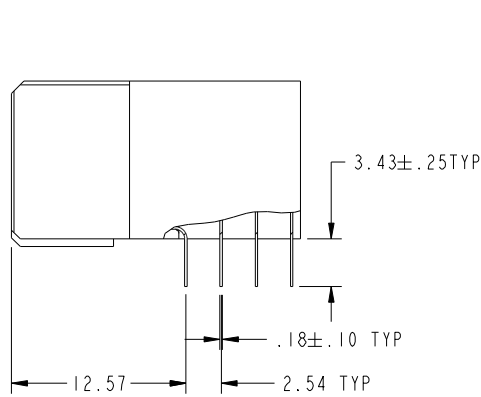
cage code 22526

Tous droits strictement reserves. Reproduction ou communication a des tiers interdite sous quelque forme que ce soit sans autorisation ecrite du proprietaire. Propriete de c FCI. Droits de reproduction FCI.

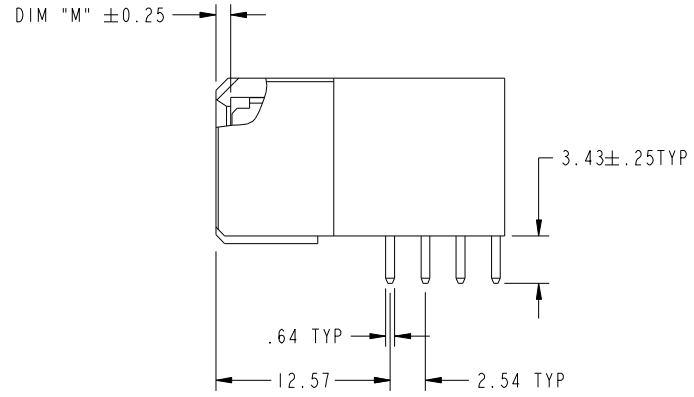


All rights strictly reserved. Reproduction or issue to third parties in any form whatever is not permitted without written authority from the proprietor. Property of FCI. Copyright FCI.

PRODUCT NUMBER
 51776-003--
 NOTE: 3



BROKEN-OUT SECTION A-A
 SCALE 2:1



BROKEN-OUT SECTION B-B
 SCALE 2:1

mat'l code				SEE NOTE 2		tolerances unless otherwise specified		CUSTOMER		www.fciconnect.com	
ltr	ecr no.	dr	date	linear	0.X ± 0.5		COPY		title 6P + 24S R/A SOLDER RECEPTACLE		
B					0.XX ± 0.25		projection				
					angles	0.XXX ± 0.1				product family PwrBlade code 213	
				dr		C. DAILY	08/29/02	scale		size A	
				enr	M. MOSTOLLER	08/29/02	1:1		dwg no 51776-003 sheet 2		
				chr	M. MOSTOLLER	08/29/02					
				appd	M. MOSTOLLER	08/29/02					
sheet index		revision sheet								cage code 22526	

Pro/E

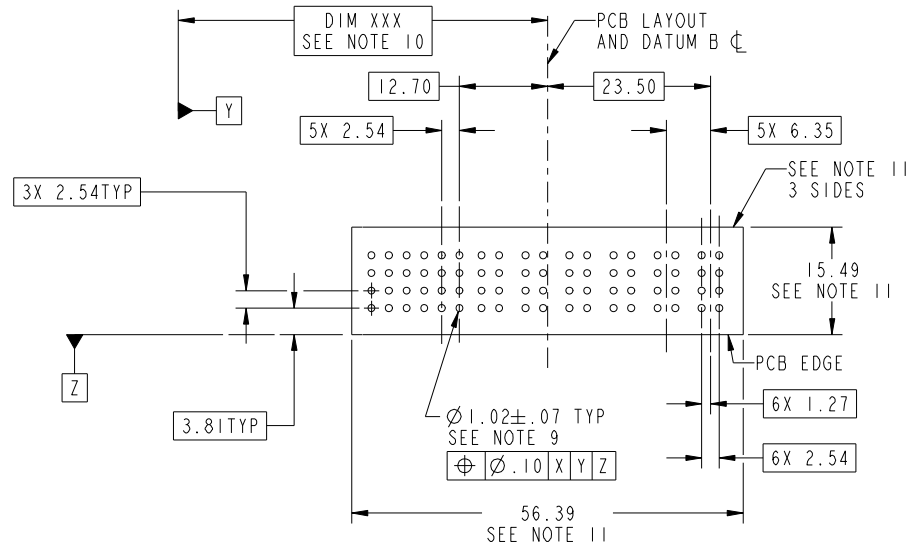
cage code 22526

Tous droits strictement reserves. Reproduction ou communication a des tiers interdite sous quelque forme que ce soit sans autorisation ecrite du proprietaire. Propriete de c FCI. Droits de reproduction FCI.



All rights strictly reserved. Reproduction or issue to third parties in any form whatever is not permitted without written authority from the proprietor. Property of FCI. Copyright FCI.

PRODUCT NUMBER
 51776-003--
 NOTE: 3



RECOMMENDED PCB LAYOUT

mat'l code				SEE NOTE 2		tolerances unless otherwise specified		CUSTOMER		www.fciconnect.com	
ltr	ecn no.	dr	date	linear	0.X ± 0.5	COPY		projection		title	
B					0.XX ± 0.25					6P + 24S R/A SOLDER RECEPTACLE	
				angles	0.XXX ± 0.1					product family PwrBlade code	
				dr	0° + 2°			scale		size	
				engr	C. DAILY 08/29/02			1:1		dwg no	
				chr	M. MOSTOLLER 08/29/02			A		51776-003	
				appd	M. MOSTOLLER 08/29/02					sheet	
sheet index		revision sheet								3	
										3	

cage code 22526

Pro/E

Tous droits strictement réservés. Reproduction ou communication a des tiers interdite sous quelque forme que ce soit sans autorisation écrite du propriétaire. Propriété de c FCI. Droits de reproduction FCI.



All rights strictly reserved. Reproduction or issue to third parties in any form whatever is not permitted without written authority from the proprietor. Property of FCI. Copyright FCI.

PRODUCT NUMBER
 51776-003--
 NOTE: 3

NOTES:

1. DIMENSIONS AND TOLERANCES ARE IN ACCORDANCE WITH ASME Y14.5M, 1994 UNLESS OTHERWISE SPECIFIED.

CONNECTOR NOTES:

2. HOUSING MATERIAL: UL 94 V-0 GLASS FILLED HIGH-TEMP THERMOPLASTIC
 POWER CONTACT MATERIAL: COPPER ALLOY
 SIGNAL PIN MATERIAL: COPPER ALLOY

3. SEE ITEM 5 & 6 IN PRINT 10064183 FOR PLATING SPEC OF 51776-003 AND 51776-003LF RESPECTIVELY.

4. MANUFACTURER'S NAME, DATE CODE AND OPTIONAL P/N TO APPEAR ON THIS SURFACE. THE P/N CAN BE OMITTED IF THERE IS NOT ENOUGH SPACE ON THIS SURFACE.

5. PRODUCT SPECIFICATION GS-12-149.
 APPLICATION SPECIFICATION BUS-20-067.

6. PACKAGED IN TRAYS.

PCB NOTES:

7. ALL HOLE DIAMETERS ARE FINISHED HOLE SIZE.

8. MOUNTING HOLES, WHERE APPLICABLE, ARE UNPLATED.

9. $\varnothing 1.151 \pm 0.025$ DRILLED HOLES PLATED WITH
 0.008 MIN SnPb OR Sn OVER 0.03
 TO 0.08 Cu PLATING TO ACHIEVE
 $\varnothing 1.02 \pm 0.07$ HOLE.

10. "DIM XXX" TO BE DETERMINED BY THE CUSTOMER.

11. CONNECTOR KEEP-OUT ZONE.

12. A \triangle SYMBOL WILL BE NEXT TO ANY DIMENSION, VIEW, OR NOTE WHICH HAS BEEN MODIFIED WITH THE CURRENT DRAWING REVISION.

mat'l code				SEE NOTE 2		tolerances unless otherwise specified		CUSTOMER		FCI www.fciconnect.com	
ltr	ecr no.	dr	date	linear	0.X ± 0.5		COPY		projection	title	
B					0.XX ± 0.25		MIM			6P + 24S R/A SOLDER RECEPTACLE	
					0.XXX ± 0.1		← MIM →			product family PwrBlade code	
				angles	0° + 2°		scale		size		
				dr	C. DAILY 08/29/02		1:1		dwg no		
				enrg	M. MOSTOLLER 08/29/02		A		51776-003		
				chr	M. MOSTOLLER 08/29/02				sheet		
				appd	M. MOSTOLLER 08/29/02				4		
sheet index		revision sheet									

cage code 22526

Pro/E