

【1. 適用範囲 SCOPE】

本仕様書は、2.0mm ピッチ FPC 対 基板用 プラグコネクタ について規定する。
This specification covers the 2.0mm PITCH FPC TO BOARD PLUG CONNECTOR series.

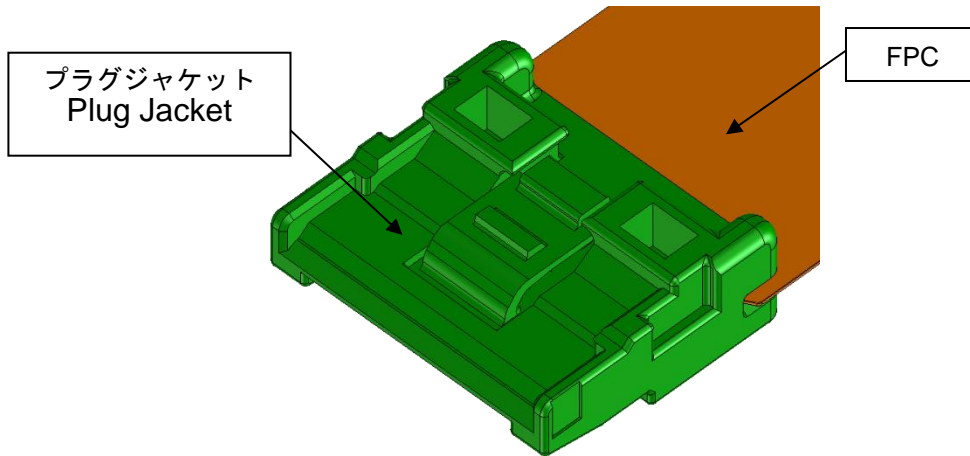
【2. 製品名称及び型番 PRODUCT NAME AND PART NUMBER】

製品名称 Product Name		製品型番 Material Number
プラグ側 Plug Side	プラグジャケット Plug Jacket	505148-**08

**：極数(図面参照)

**：CIRCUITS(Refer to the drawing)

【3. 各部の説明 NAME OF THE EACH COMPONENTS】



REV.	A																				
SHEET	1-5																				
REVISE ON PC ONLY										TITLE: 2.0 mm PITCH FPC TO BOARD PLUG JACKET											
A		新規 RELEASED 117042 2016/10/19 A.ISHII								製品仕様書											
THIS DOCUMENT CONTAINS INFORMATION THAT IS PROPRIETARY TO MOLEX ELECTRONIC TECHNOLOGIES, LLC AND SHOULD NOT BE USED WITHOUT WRITTEN PERMISSION																					
REV.	DESCRIPTION																				
DESIGN CONTROL J					STATUS					WRITTEN BY: AISHII	CHECKED BY: YKOBAYASHI02	APPROVED BY: TKUSUHARA01	DATE: 2016/10/20								
DOCUMENT NUMBER 5051480000										DOC. TYPE PS	DOC. PART A00	CUSTOMER GENERAL					SHEET 1 OF 5				
EN-127(2015-12)																					

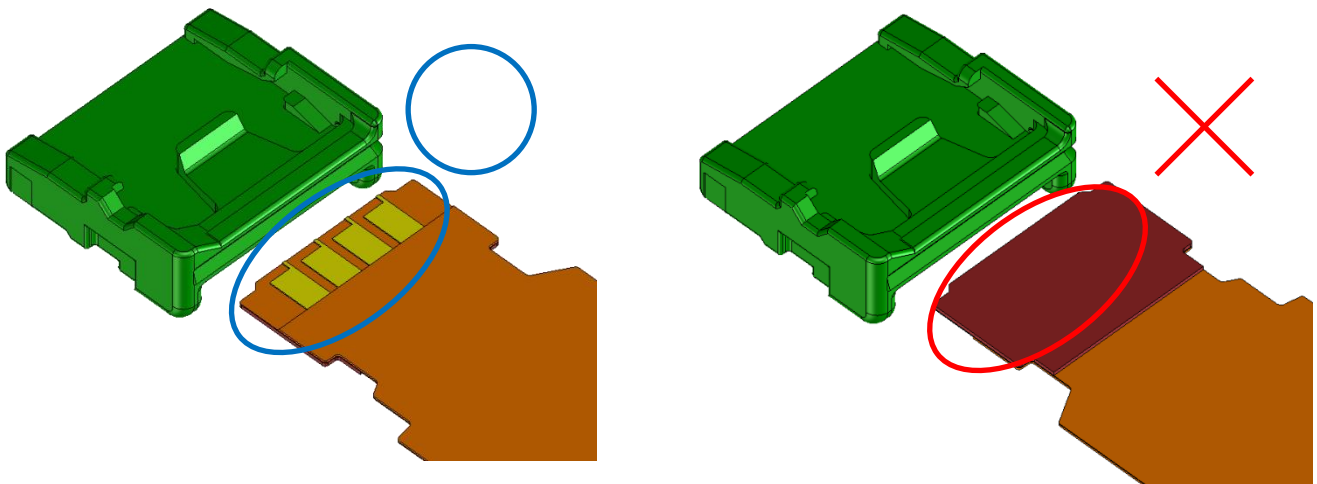
【4. 組立工程 ASSEMBLING PROCESS】

プラグジャケットにFPCを挿入する際、FPC導体部が確認出来る様に挿入してください。
補強板が見える状態で挿入してしまうと、コネクタは導通しません。

When FPC is inserted in the plug jacket, you insert it to confirm the FPC conductor.

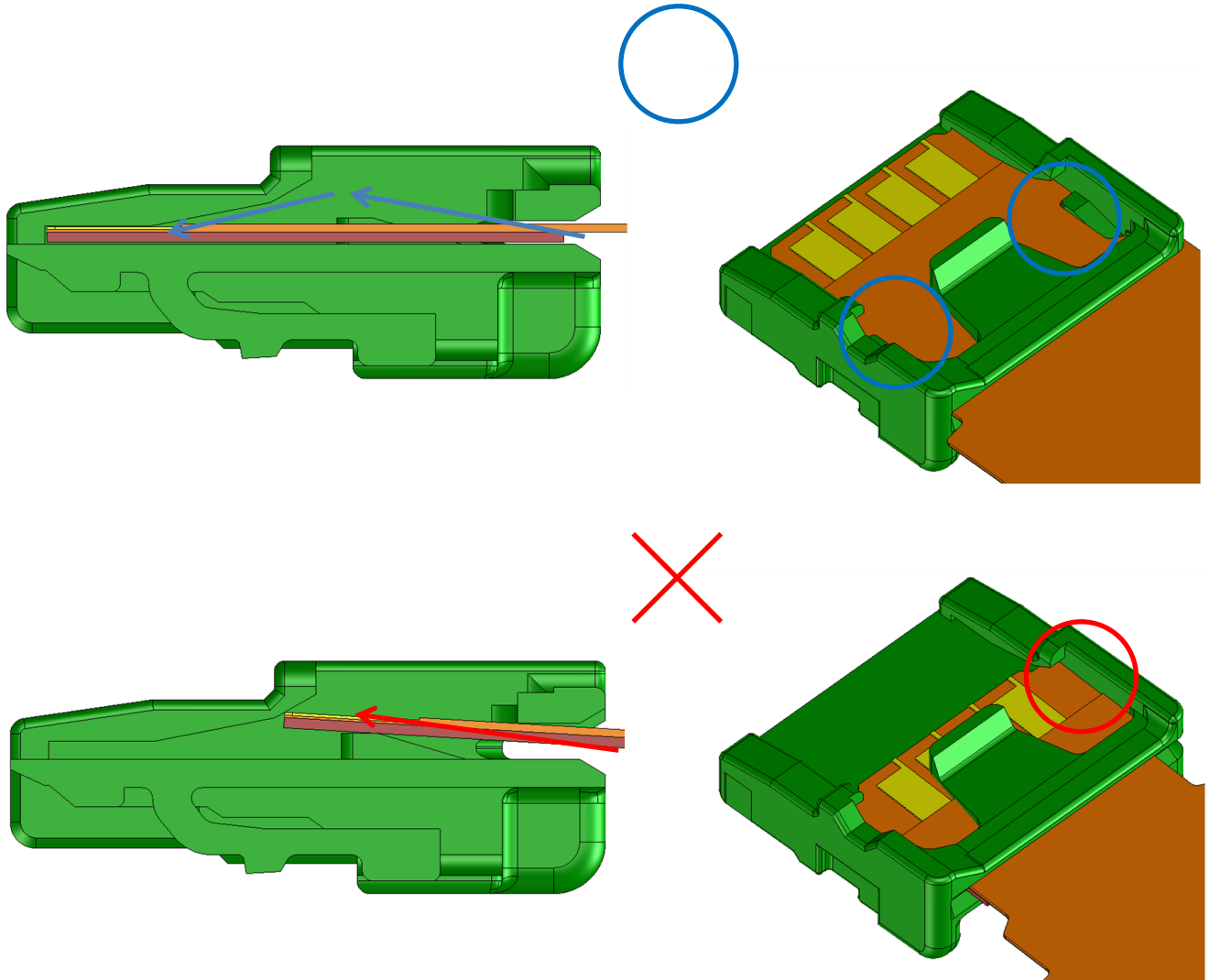
If you insert FPC with the stiffener board seen, the connector becomes discontinuity.

When mating the connector, hold the plug jacket at either a whole or the center portion of them to insert.



REVISE ON PC ONLY		TITLE:			
A	SEE SHEET 1 OF 5	.0 mm PITCH FPC TO BOARD PLUG JACKET			
	REV.	DESCRIPTION	THIS DOCUMENT CONTAINS INFORMATION THAT IS PROPRIETARY TO MOLEX ELECTRONIC TECHNOLOGIES, LLC AND SHOULD NOT BE USED WITHOUT WRITTEN PERMISSION		
DOCUMENT NUMBER 5051480000		DOC. TYPE PS	DOC. PART A00	CUSTOMER GENERAL	SHEET 2 OF 5
製品仕様書					
EN-127(2015-12)					

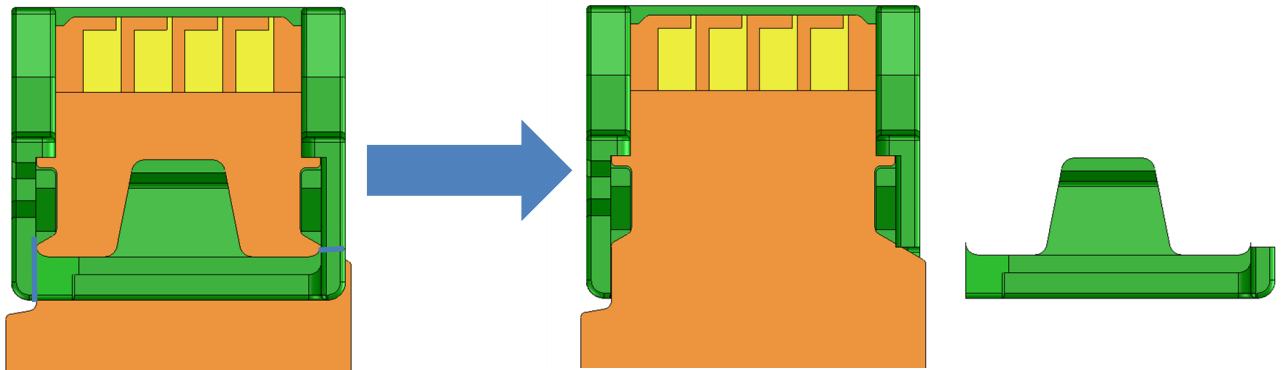
FPCをプラグジャケットの内部に挿入してください。FPC切欠き部がプラグジャケット突起部に嵌まるとFPC挿入作業完了となります。切欠き部が突起部に乗り上げている場合は、FPCが抜ける原因になります。FPC is inserted along the plug jacket. When the part where FPC is lacked fits in a convex part of the plug jacket, it becomes FPC insertion work completion. It is the cause of FPC fall out when the part where FPC is lacked is on the convex of the plug jacket.



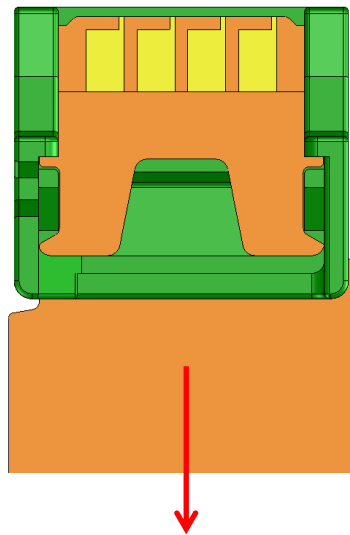
REVISE ON PC ONLY		TITLE:			
A	SEE SHEET 1 OF 5	.0 mm PITCH FPC TO BOARD PLUG JACKET			
	REV.	DESCRIPTION	THIS DOCUMENT CONTAINS INFORMATION THAT IS PROPRIETARY TO MOLEX ELECTRONIC TECHNOLOGIES, LLC AND SHOULD NOT BE USED WITHOUT WRITTEN PERMISSION		
DOCUMENT NUMBER 5051480000		DOC. TYPE PS	DOC. PART A00	CUSTOMER GENERAL	SHEET 3 OF 5
製品仕様書					
EN-127(2015-12)					

FPCを外す時はプラグジャケットを破壊してから外してください。
無理に引き抜くとFPCの破損の原因になります。
When removing FPC, break plug jacket.
When FPC removed by force, damage of FPC is caused.

**プラグジャケット破壊
BREAK JACKET**



**無理抜き
REMOVED BY FORCE.**



REVISE ON PC ONLY		TITLE: .0 mm PITCH FPC TO BOARD PLUG JACKET		
A	SEE SHEET 1 OF 5	製品仕様書		
REV.	DESCRIPTION	THIS DOCUMENT CONTAINS INFORMATION THAT IS PROPRIETARY TO MOLEX ELECTRONIC TECHNOLOGIES, LLC AND SHOULD NOT BE USED WITHOUT WRITTEN PERMISSION		
DOCUMENT NUMBER 5051480000		DOC. TYPE PS	DOC. PART A00	CUSTOMER GENERAL
				SHEET 4 OF 5
EN-127(2015-12)				

