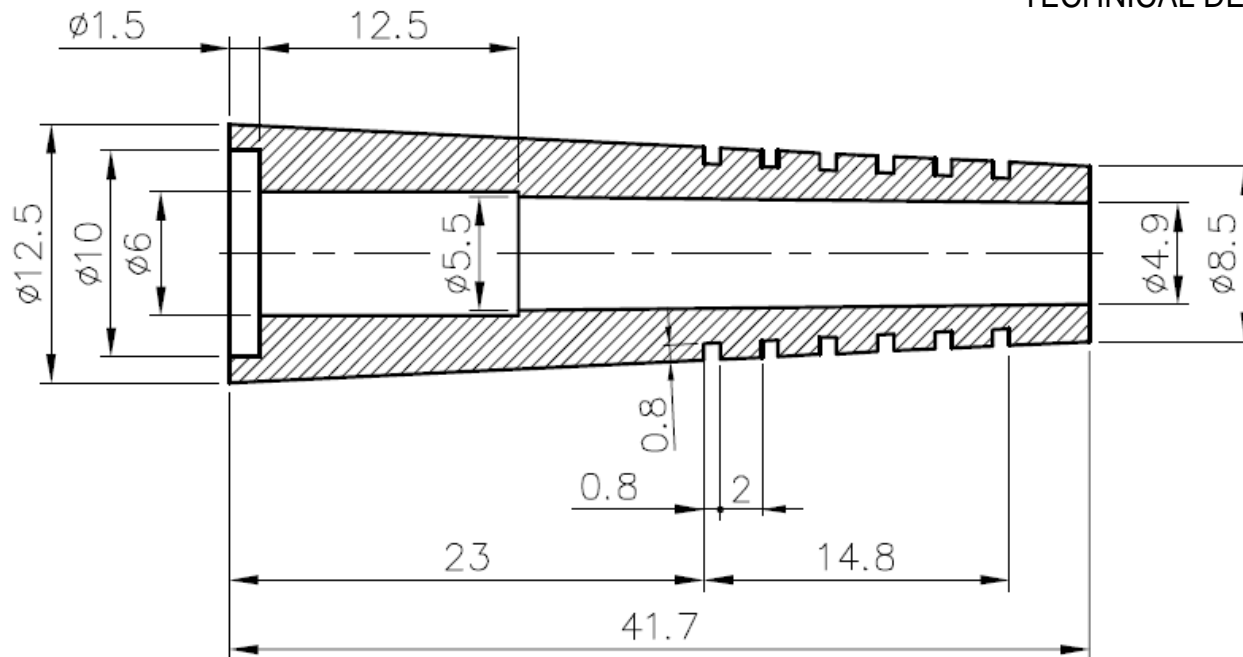




DESCRIPTION: STRAIN RELIEF FOR RG58  
 MODEL NUMBER: 25-B58  
 APPLICATION: FOR RG58  
 CRIMP TOOL: N/A  
 IMPEDANCE: N/A  
 FREQUENCY RANGE: N/A  
 MATERIAL: PVC---BLACK  
 RoHS COMPLIANCE: YES  
 TECHNICAL DETAIL: N/A



	3RD ANGLE PROJECTION 	<b>AIM-Cambridge</b>	
	RoHS <input checked="" type="checkbox"/> 2002/95/EC <small>UNLESS OTHERWISE SPECIFIED UNITS: METRIC</small>	Title: STRAIN RELIEF FOR RG58	
<small>This PROPRIETARY Document is property of Cinch Connectivity Solutions. It is confidential in nature, non-transferable, and issued with the clear understanding that it is not traced or copied without permission and is returnable upon demand.</small>	.XX ±.51 .XXX ±.127 ANGLES ±2°	Model No. 25-B58	
<small>INTERPRET DRAWING IN ACCORDANCE WITH ASME Y14.5-2009</small>	Size A	DO NOT SCALE DRAWING	Date: 8/15/2013 Sheet 1 of 1