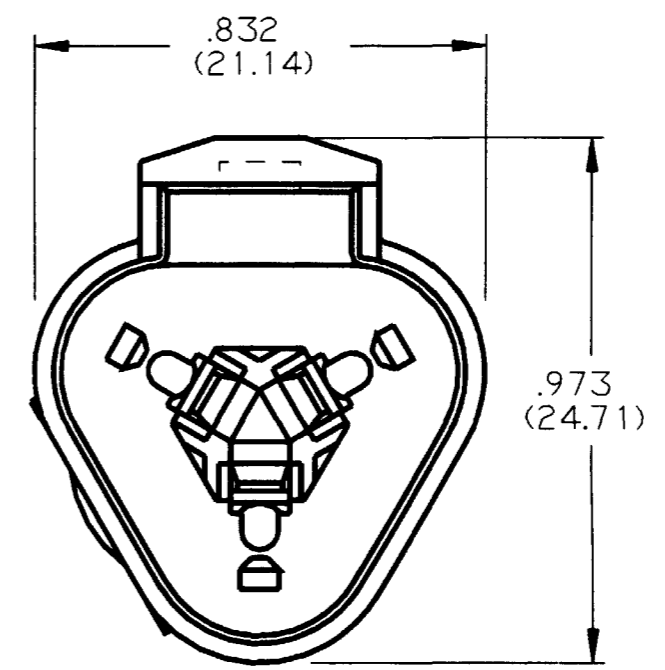
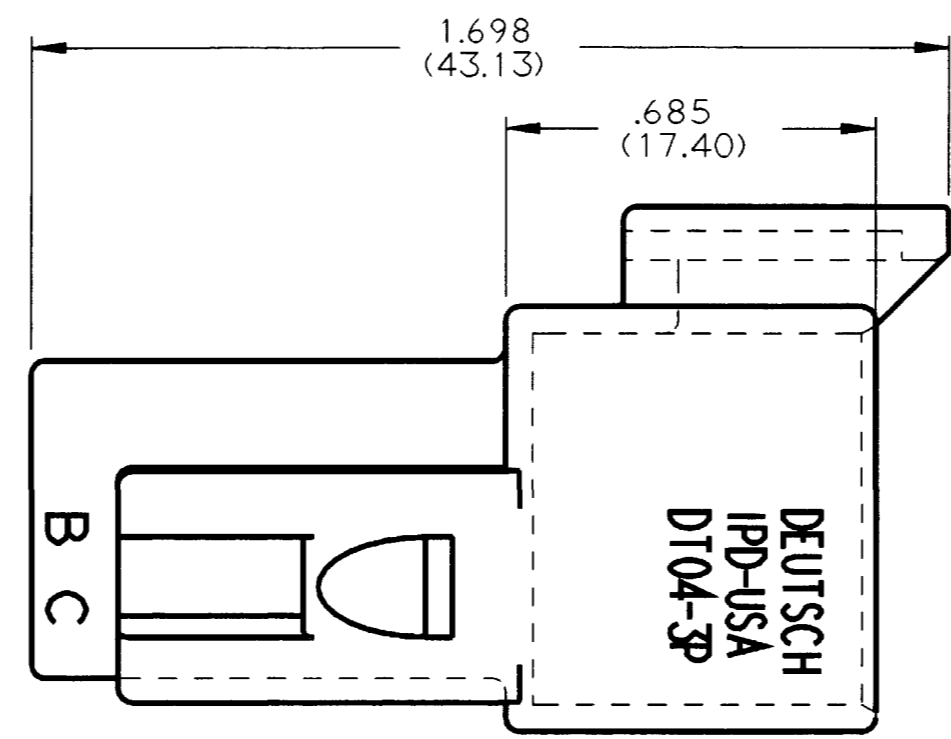
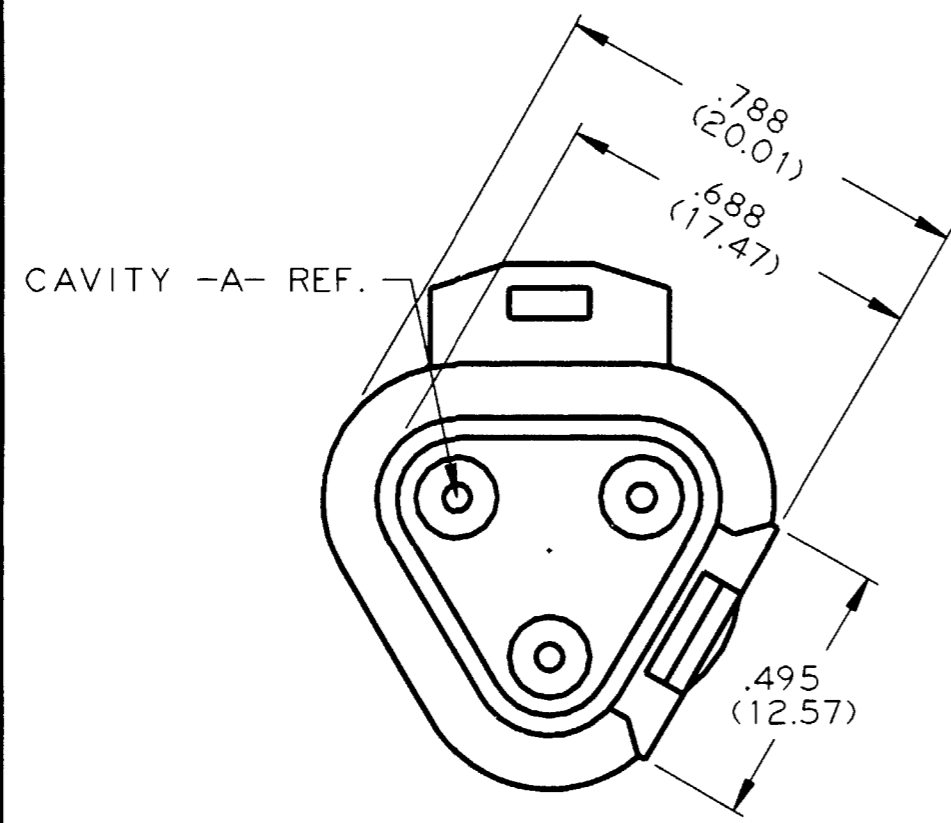


REV  
C DT04-3P

REVISIONS			
SYM	DESCRIPTION	DATE	APPROVED
B	REVISED AND REDRAWN E.O. A09355	9/6/90	J.A.
C	REVISED PER E.O. P15019	4-4-96	RDR



- NOTES:
1. ALL DIMENSIONS ARE IN INCHES (METRIC).
  2. ALL DIMENSIONS ARE  $\pm 0.025$  (0.63) UNLESS OTHERWISE SPECIFIED.
  3. CONSULT FACTORY FOR CONTACT SPECIFICATION AND APPLICATION.
  4. THIS CONNECTOR CAN PASS THRU A ONE INCH HOLE.
  5. FOR MORE INFO SEE ENVELOPE DWG. 0425-017-0000 AND 0425-015-0000.

SIGNATURE & DATE	
DR	C. WOODRUFF 13 JUL 90
CHK	
PE	<i>W. J. Tomlinson</i>
APPD	<i>R. Reed</i> 4-4-96
SCALE	NONE
WT	

3 WAY RECEPTACLE  
D.T. SERIES

ENVELOPE

CP	MATL CODE
<b>The Deutsch Company</b> DEUTSCH I.P.D. 37140 INDUSTRIAL AVE. HEMET, CALIF. 92343	
<b>B</b>	<b>DT04-3P</b>
DWG SIZE	CODE 11139 SHEET 1 OF 1