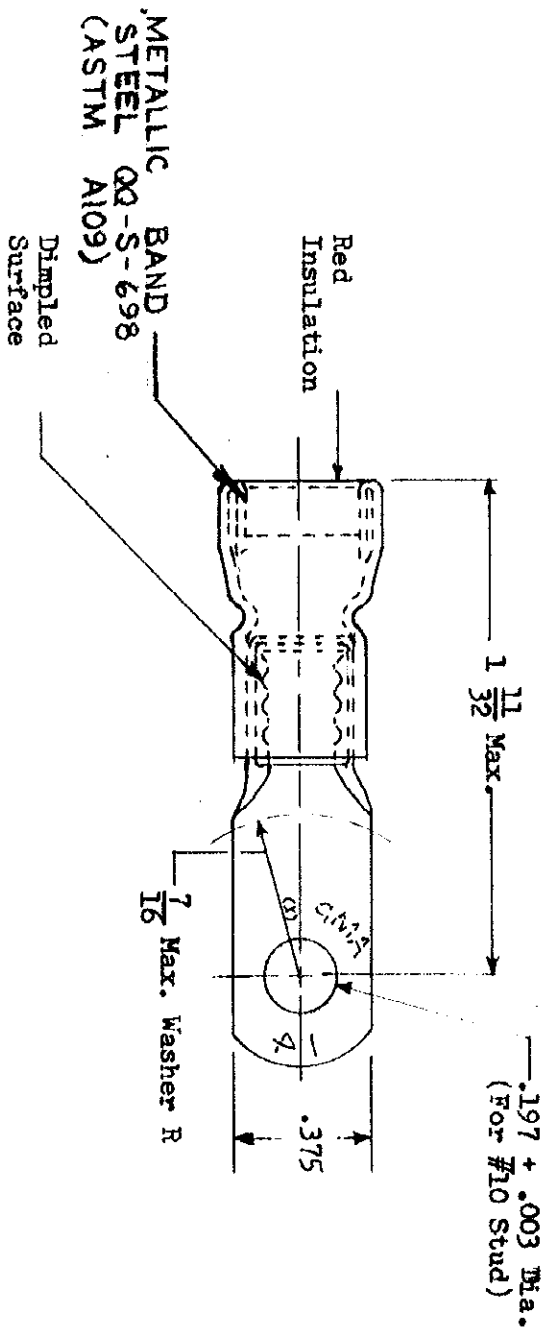


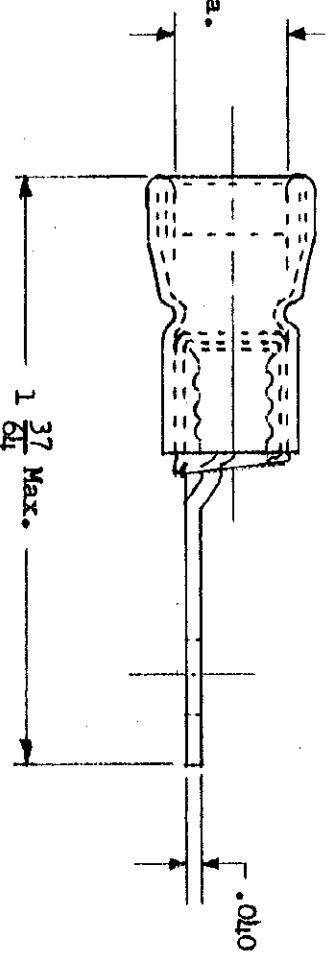
CUSTOMER COPY FOR REFERENCE ONLY

CATAL. NO. NUMBER **323974**

USED ON
PART NO. 323966
SIEVE ASS'Y. 321653
COMPLETE ASS'Y. 323974



For .298 Max.
Insulation Dia.



METALLIC BAND : STEEL QQ-S-698 (ASTM A109)

MATERIAL: Copper
HEAT TREATMENT: Annealed
FINISH: Hot Electro - Tinned

COPYRIGHT IN U.S.A. 1956 BY AIRCRAFT-MARINE PRODUCTS, INC.
COPYRIGHT UNDER INTERNATIONAL COPYRIGHT UNION. ALL RIGHTS
RESERVED UNDER PAN-AMERICAN COPYRIGHT UNION (1910)

AIRCRAFT-MARINE PRODUCTS INC.
HARRISBURG, PA.

WIRE TERMINAL

STL. No.	ALT.
1	
2	
3	
4	
5	
6	
7	
8	
9	
10	
11	
12	
13	
14	
15	
16	
17	
18	
19	
20	
21	
22	
23	
24	
25	

DR. H. M. Gonder		5-4-56	TR		
REK G-4680		5-5-68	TR		
REV. PER P-2547		1/1/79	TR		
NO.	ALTERATION	DATE	BY	INDC	
1					
AIRCRAFT-MARINE PRODUCTS INC.					
HARRISBURG, PA.					
WIRE TERMINAL					
CLASS	RING TONGUE				
TYPE	AMPLI-BOND				
SIZE	8 (SHIP 1L)				
TOLERANCES- ALL DIMENSIONS ± .005 EXCEPT AS NOTED					
SCALE	2-1				
CATALOG NUMBER	323974				
CHK. J. B. Fessler	5-7-56	APR. L. R. Brown	5-7-56		