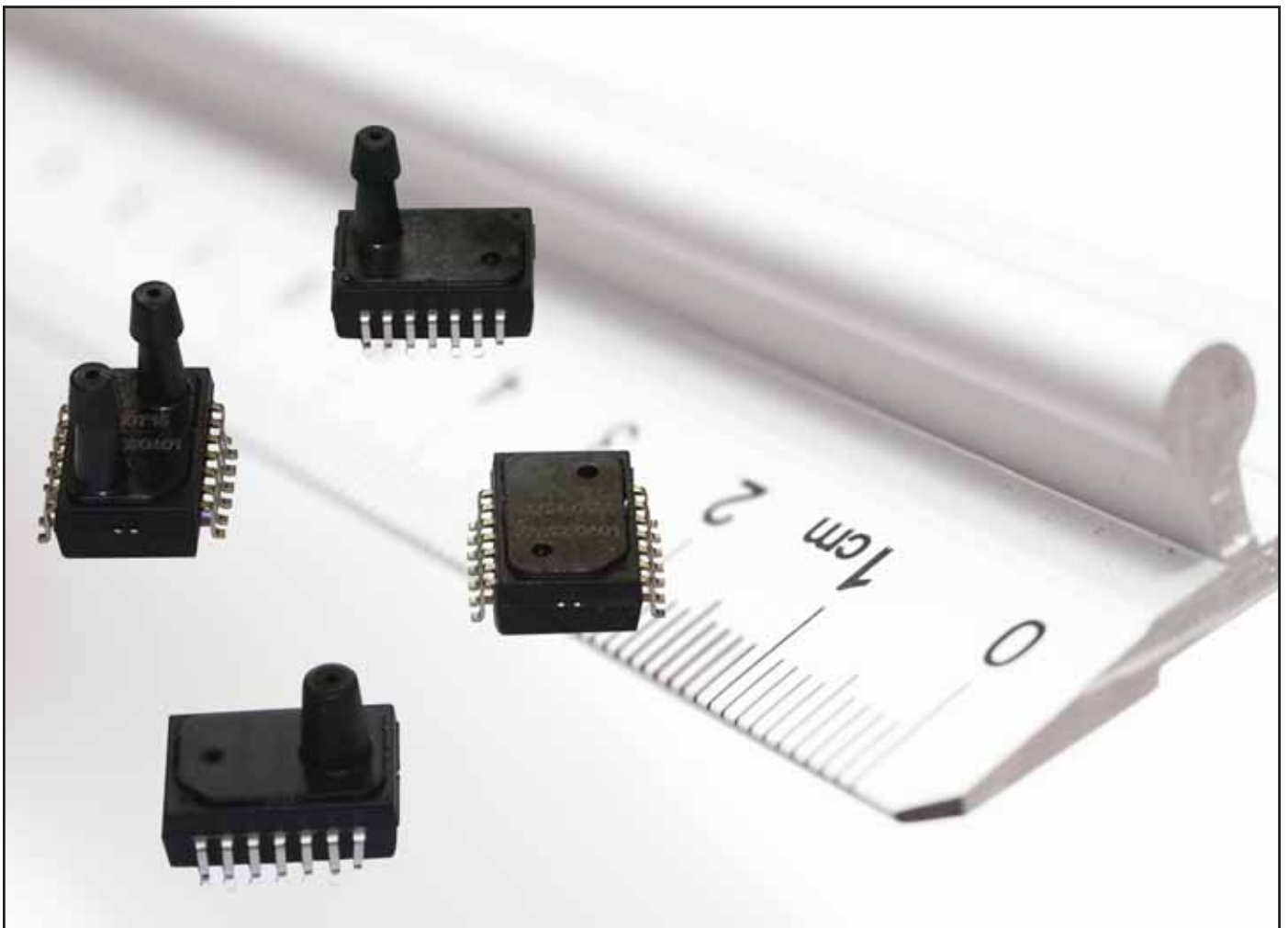




Pressure Sensor Type NPA

Application Guide



Amphenol
Advanced Sensors

AAS-910-289 Rev. F
March 2015

1.	General Description	1
2.	Output Characteristics	1
2.1	Pressure Output Options	1
2.2	Pressure Output Characteristics (Calibrated Types)	2
2.3	Pressure Accuracy (Calibrated Types)	3
2.4	Temperature Output Characteristics (Digital Types)	4
3.	Analog Output (Amplified and Compensated)	5
3.1	General	5
3.2	Block Diagram	5
3.3	Pinout	6
3.4	Typical Application Circuits	7
3.5	Output Impedance	8
3.6	Output Short Protection	8
4.	Digital Output (I2C)	9
4.1	General	9
4.2	Block Diagram	9
4.3	I2C Timing	10
4.4	Data Read Operations	11
4.5	Pinout	12
4.6	Typical Application Circuit	12
4.7	Changing I2C Slave Address	13
4.8	Diagnostic Features	15
4.9	NPA-700 Sleep Mode	15
5.	Digital Output (Manchester Code)	16
5.1	General	16
5.2	Block Diagram	16
5.3	Pinout	17
5.4	Typical Application Circuits	17
5.5	Bit Encoding	18
5.6	Mode 1 - Pressure Only	19

5.7	Mode 2 - Pressure With Temperature	20
5.8	Data Transmission	20
5.9	How to Read a Data Packet.	21
5.10	How to Read a Data Packet Using a Microcontroller	21
5.11	8051 C++ Code Example	22
5.12	PIC1 Assembly Code Example	25
6.	Uncalibrated Versions	28
6.1	General.	28
6.2	Block Diagram	28
6.3	Pinout.	29
7.	Package Dimensions	30
7.1	Manifold Fitting	30
7.2	Barbed Fitting.	31
7.3	No Port.	33
7.4	Dead Volume	34
8.	Pressure Port Connections	34
9.	Suggested PCB Pad Layout	35
10.	Soldering	35
10.1	Standard Reflow Soldering	35
10.2	Manual Soldering	36
11.	Device Branding	36

1. General Description

The NPA series of pressure sensors combines Amphenol Advanced Sensors' SenStable® silicon fusion bonded pressure die technology with packaged electronics to provide highly stable, amplified and calibrated pressure measurement in a cost effective surface mount package.

The NPA is offered in a range of pressure ratings. Various port configurations are available to measure absolute, gauge and differential pressures. Versions are offered with either analog or digital outputs.

This application guide should be read in conjunction with product data sheet 920-477.

2. Output Characteristics

2.1 Pressure Output Options

The NPA series is available in a range of pressure ratings, pressure configurations and output formats. The nominal output ranges for standard product ranges are detailed in Tables 1 and 2 below.

Table 1: Available Pressure Output Ranges for Standard Products

Device series	Units	Absolute/Gauge		Differential			Excitation
		Applied pressure					
		0	+ Rated	- Rated	0	+Rated	
NPA-100 (10"H2O)	mV	0	80	-80	0	80	1.5 mA
NPA-100 (1 psi)	mV	0	105	-105	0	105	1.5 mA
NPA-100 (5 to 30 psi)	mV	0	133	-133	0	133	1 mA
NPA-300	V	0.50	3.00	0.50	1.75	3.00	3.3 V
NPA-500	V	0.50	4.50	0.50	2.50	4.50	5 V
NPA-600, NPA-601	Counts	1638	14745	1638	8192	14745	2.7 to 5.5 V
NPA-700	Counts	1638	14745	1638	8192	14745	2.7 to 5.5 V

Table 2: Example – Output Range of NPA-500M-001D

Applied Pressure (psid)	Output (V)
-1	0.5
0	2.5
+1	4.5

2.2 Pressure Output Characteristics (Calibrated Types)

All NPA types, excluding NPA-100 series, are factory calibrated to give a defined linear change in output over a specified range of pressures. Outside this range, the output varies with pressure but with unspecified accuracy. The output is clipped at low and high pressures as the output approaches the supply rails.

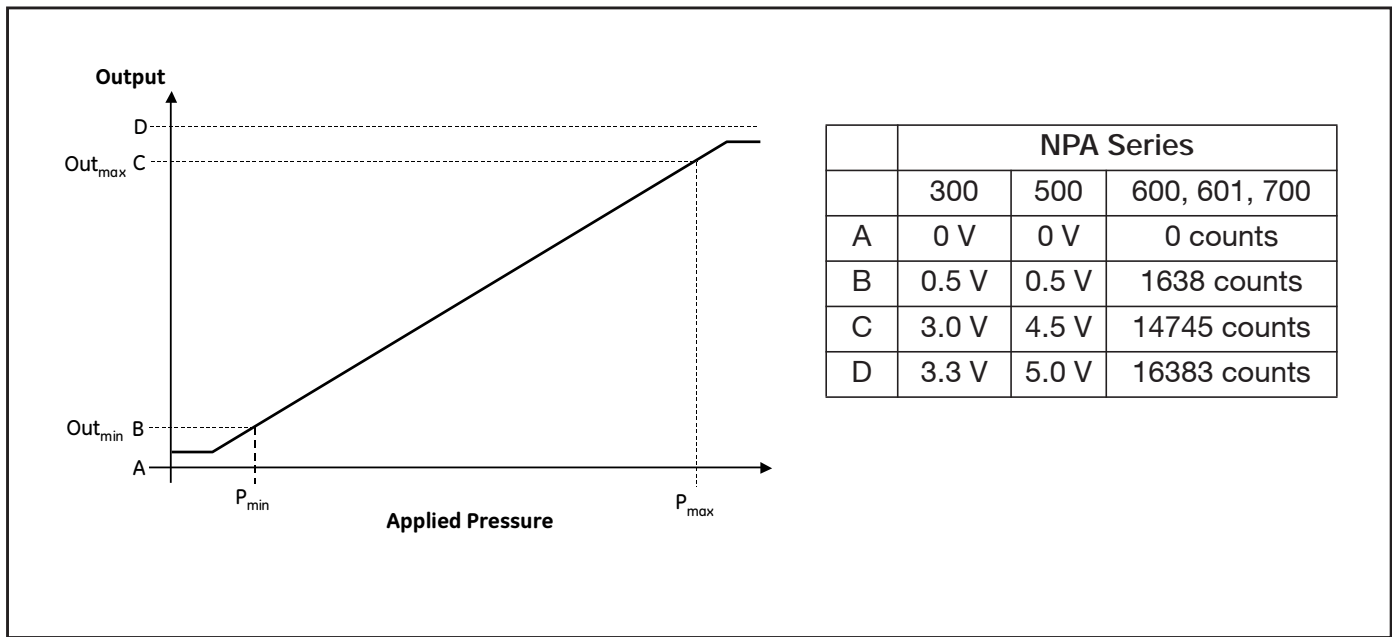


Figure 1: Output Characteristic of Calibrated Types

Pressure can be calculated from the sensor output using the following formula:

$$P = P_{min} + \left(\frac{Out - Out_{min}}{Out_{max} - Out_{min}} \right) \cdot (P_{max} - P_{min})$$

where P = calculated pressure

Out = measured sensor output

2.3 Pressure Accuracy (Calibrated Types)

The measurement accuracy of calibrated NPA types is defined in terms of $\pm\%$ of full scale (FS) over a specified compensated temperature range. Standard parts are specified to be $\pm 1.5\%$. This accuracy figure is a total error band and includes all errors due to offset, span, linearity and temperature, as illustrated in Figure 2 below.

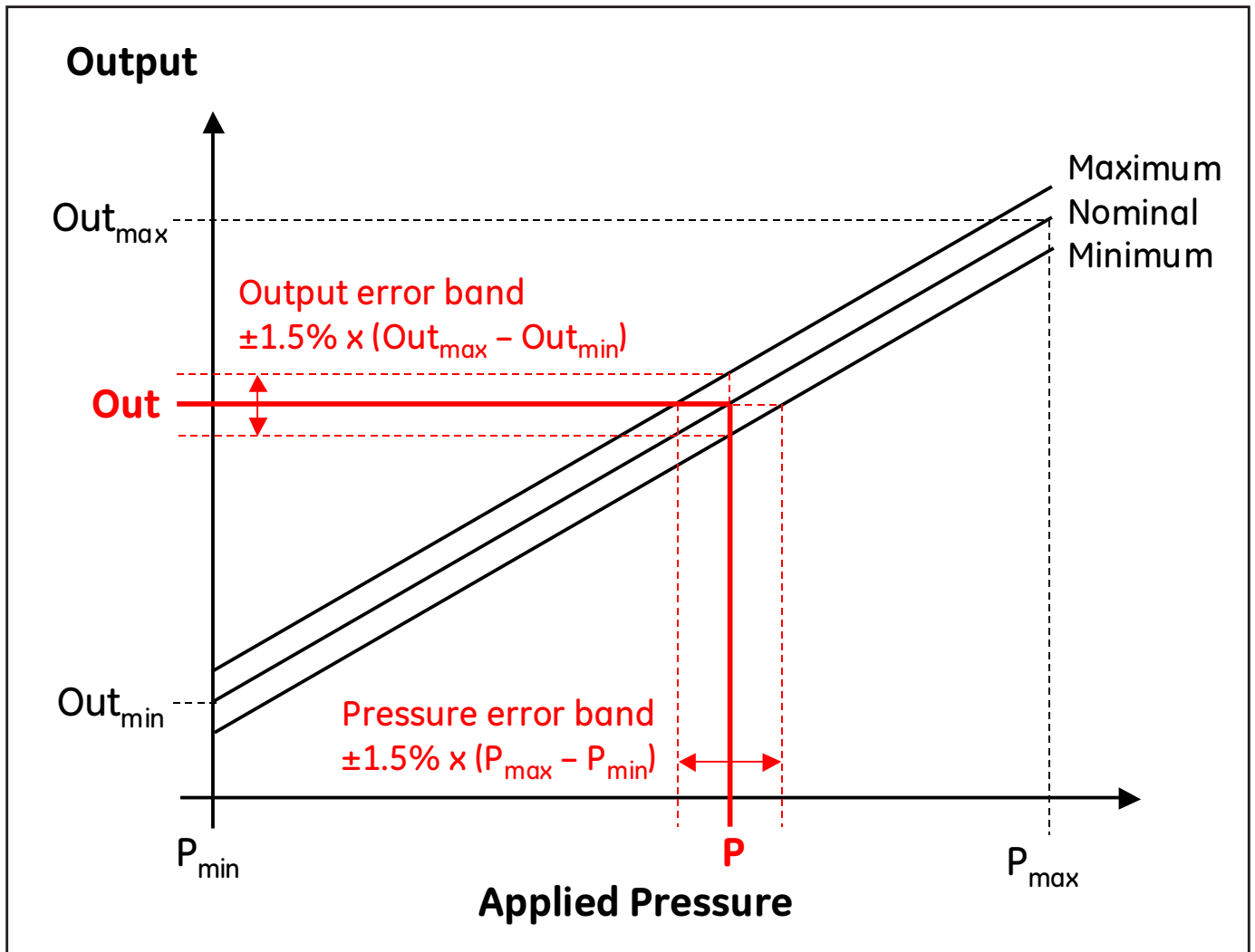


Figure 2: Accuracy of Calibrated NPA Types

Table 3: Pressure Errors

Rated pressure	Absolute / Gauge		Differential	
	FS	Error	FS	Error
10 "H ₂ O	10 "H ₂ O	± 0.15 " H ₂ O	20" H ₂ O	± 0.30 " H ₂ O
1 psi	1 psi	± 0.015 psi	2 psi	± 0.03 psi
5 psi	5 psi	± 0.075 psi	10 psi	± 0.15 psi

Table 3: Pressure Errors

15 psi	15 psi	± 0.225 psi	30 psi	±0.45 psi
30 psi	30 psi	± 0.45 psi	60 psi	±0.90 psi

2.4 Temperature Output Characteristics (Digital Types)

The NPA-601 and NPA-700 series output digital temperature data as shown in Table 4 below.

Note: Accuracy of the temperature reading is not guaranteed. The calculated value should only be used as an approximate indication.

Table 4: Digital Temperature Output

Series	Bits	Conversion from Count Value to Temperature °C
NPA-601	8	Temperature = (Counts x 200 / 2 ⁸) - 50
NPA-700	8	Temperature = (Counts x 200 / 2 ⁸) - 50
NPA-700	11	Temperature = (Counts x 200 / 2 ¹¹) - 50

3. Analog Output (Amplified and Compensated)

3.1 General

The NPA-300 and NPA-500 series output pressure data as analog voltage:

- NPA-300: 3.3 V dc supply, 0.5 to 3.0 V output
- NPA-500: 5 V dc supply, 0.5 to 4.5 V output

Standard parts are configured for ratiometric operation; i.e., the output varies linearly with supply voltage. For absolute operation (output independent of supply voltage), special versions of the NPA are available with an additional pin configured to control the gate of an external FET.

3.2 Block Diagram

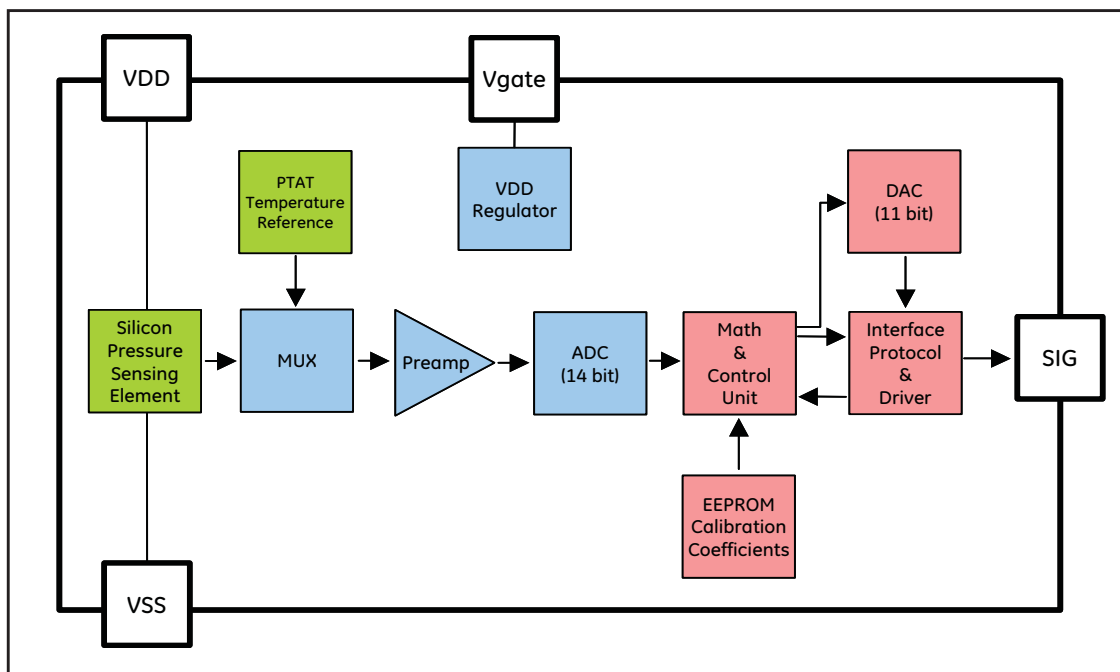


Figure 3: Block Diagram of NPA-300, NPA-500 Series

3.3 Pinout

Table 5: Pinout of NPA-300, NPA-500 Series

Pin #		Function
1		NC
2		NC
3		NC
4		NC
5		NC
6	VSS	Ground
7		NC
8	SIG	Output
9	VDD	Supply Voltage
10	Vgate	FET Gate Control (special order)
11		NC
12		NC

Note:
NC= No connection
should be made to
these pins

3.4 Typical Application Circuits

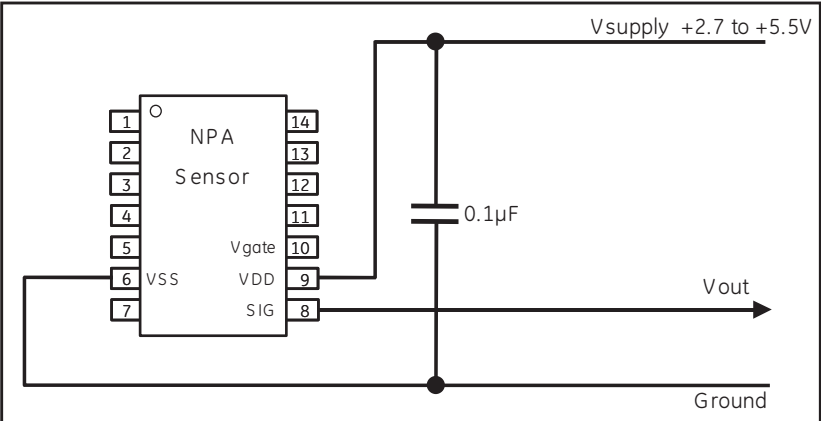


Figure 4: Ratiometric Voltage Output

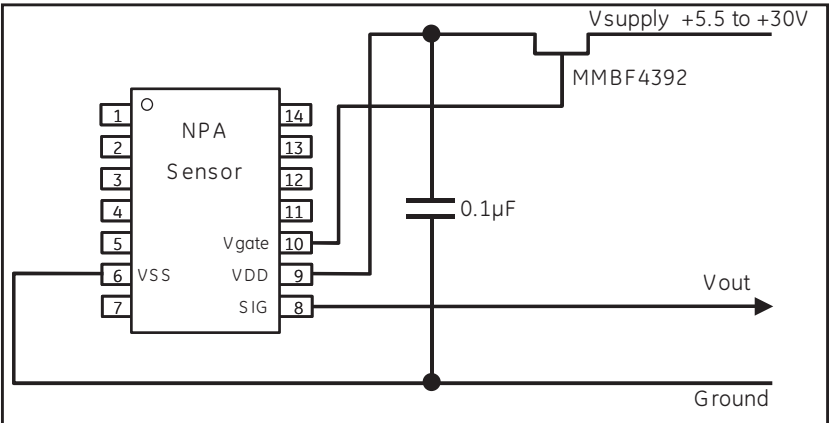


Figure 5: Absolute Voltage Output

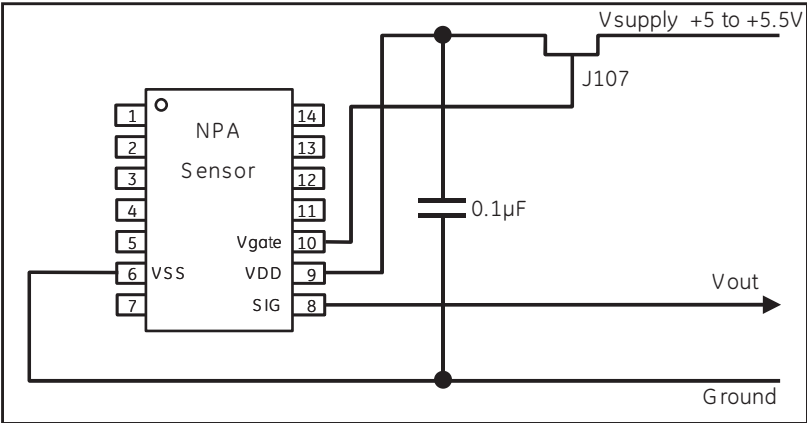


Figure 6: Ratiometric Voltage Output with Overvoltage Protection

Note: *Standard analog versions of NPA are configured for ratiometric operation as shown in Figure 4. For the circuits in Figures 5 and 6, a special version of the NPA with pin 10 (Vgate) activated should be used.*

Typical output load resistor R_L (to V_{supply} or Ground) = 10 k Ω (minimum 2.5 k Ω)

Typical output load capacitance C_L = 10 nF (maximum 15 nF)

3.5 Output Impedance

The source impedance defined by voltage drop due to load current is not specified as such for the NPA. The sensor incorporates a unity gain buffer at the output to control the output voltage within a range of load current/resistances. An error compensation circuit tracks and reduces the amplifier offset voltage to <1 mV.

3.6 Output Short Protection

The NPA does not incorporate short protection. A resistor R_{SP} as specified in *Table 6* below, should therefore be connected in series with the output.

Table 6: Short Protection Resistor

Ambient Temp. ($^{\circ}$ C)	Resistor R_{SP} (ohm)
Up to 85	51
Up to 125	100

To minimize the effect on measurement accuracy caused by this resistance in analog mode, the load impedance R_L should be chosen to ensure that $R_L \gg R_{SP}$

4. Digital Output (I²C)

4.1 General

The NPA-700 series provides digital output data using the industry standard I²C protocol. Bit rates up to 400 kHz are supported, compatible with the Standard-mode (Sm) and Fast-mode (Fm) standards. Devices are supplied with a slave address of 0x28 as standard.

4.2 Block Diagram

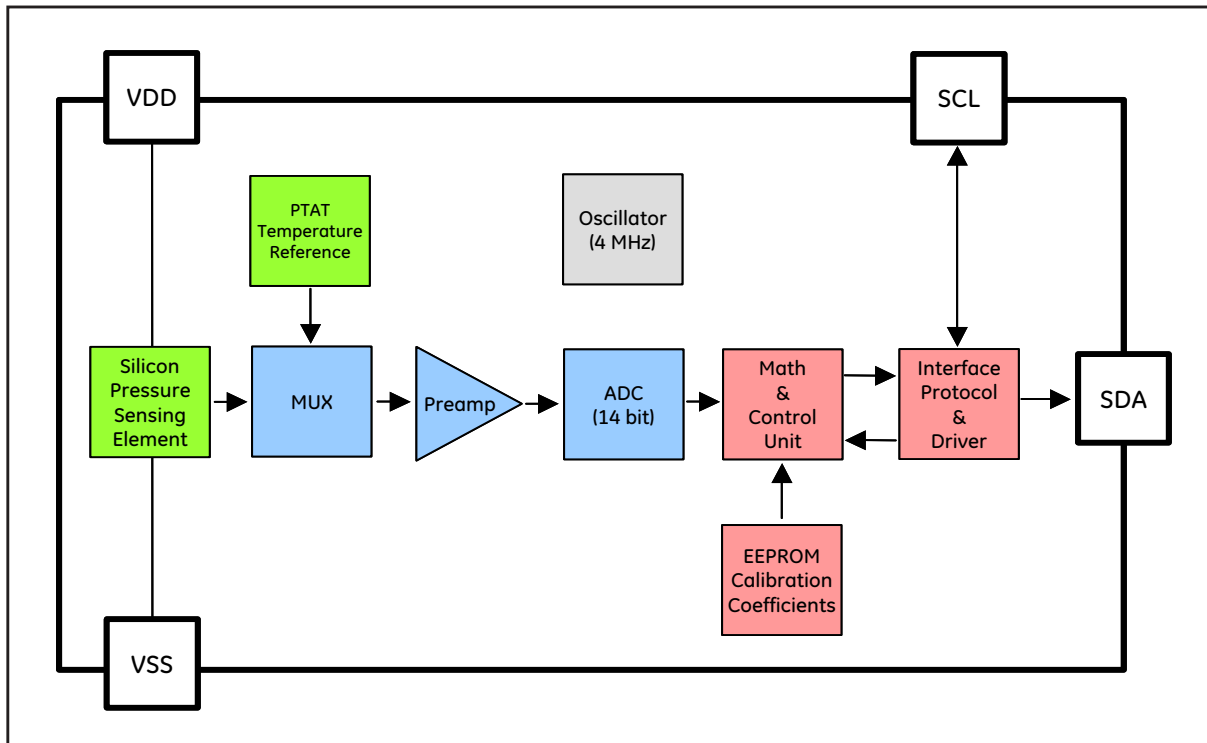


Figure 7: Block Diagram of NPA-700 Series

4.3 I²C Timing

Table 7: I²C Timing Parameters

Parameter	Symbol	Min	Max	Units
SCL clock frequency	f_{SCL}	100	400	kHz
Start condition hold time relative to SCL edge	t_{HDSTA}	0.1		μs
Minimum SCL clock low width*	t_{LOW}	0.6		μs
Minimum SCL clock high width*	t_{HIGH}	0.6		μs
Start condition setup time relative to SCL edge	t_{SUSTA}	0.1		μs
Data hold time on SDA relative to SCL edge	t_{HDDAT}	0		μs
Data setup time on SDA relative to SCL edge	t_{SUDAT}	0.1		μs
Stop condition setup time on SCL	t_{SUSTO}	0.1		μs
Bus free time between stop and start condition	t_{BUS}	2		μs

* Combined low and high widths must equal or exceed minimum SCL period.

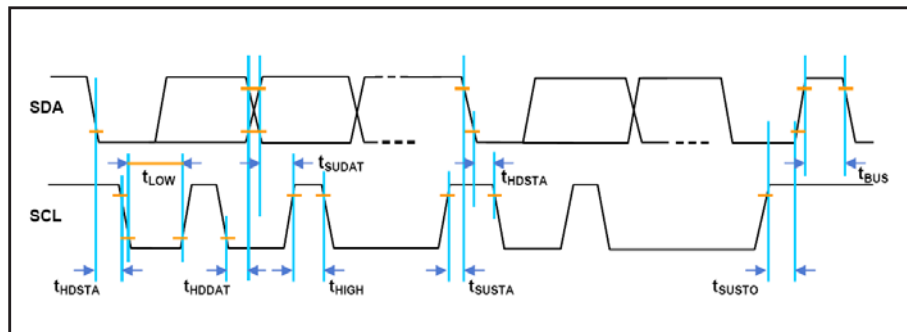


Figure 8: I²C Timing Diagram

Two conditions can cause communication errors:

- Sending a start-stop condition without any transitions on the SCL line (no clock pulses in between) creates a communication error for the following communication, even if the next start condition is correct and the clock pulse is applied.
- Restart condition – a falling SDA edge during data transmission when the SCL line is still high will cause the next communication to fail.

In both situations, an additional start condition should be sent to restore communication.

4.4 Data Read Operations

To read data from the NPA sensor, the I²C master device sends 8 bits — the 7 bit slave address (0x28 for standard devices) and the 8th bit = 1 to designate a read request. The NPA sensor then sends acknowledge (ACK) to indicate success.

The NPA has three I²C read commands:

- Read_DF2: Pressure (2 bytes)
- Read_DF3: Pressure (2 bytes) + Temperature (1 byte)
- Read_DF4: Pressure (2 bytes) + Temperature (2 bytes)

The number of data bytes returned by the NPA sensor is determined by when the I²C master device sends the NACK and stop conditions as shown in Figure 9 below.

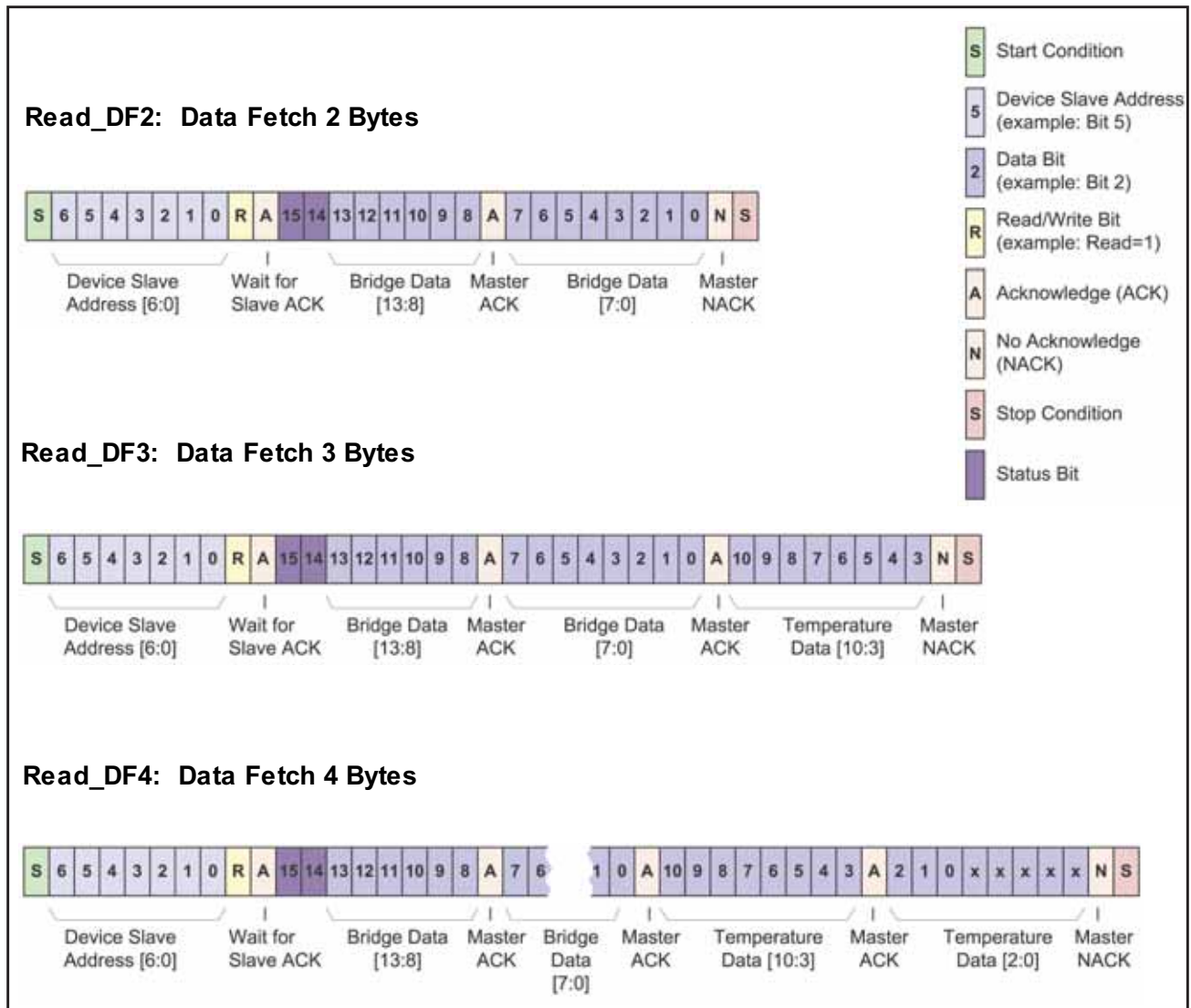


Figure 9: I²C Data Packet Reads

4.5 Pinout

Table 8: Pinout of NPA-700 Series

Pin #		Function
1		NC
2		NC
3		NC
4		NC
5		NC
6	VSS	Ground
7	VDD	Supply Voltage
8	SDA	Serial Data
9	SCL	Serial Clock
10		NC
11		NC
12		NC

Note:
NC = No connection
should be made to these
pins

4.6 Typical Application Circuit

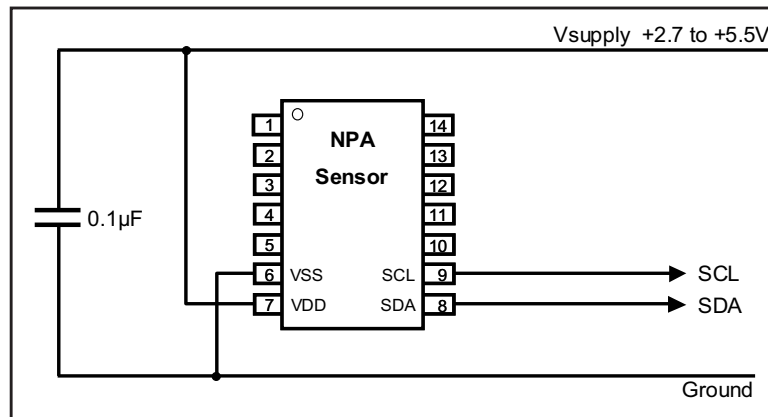


Figure 10: I²C Digital Output

Note: Standard versions are calibrated for 5V supply voltage; 3.3V is available to special order.

4.7 Changing I²C Slave Address

When multiple devices are connected to the I²C bus, each device must be assigned a unique address to ensure correct operation. NPA-700 types are supplied with the I²C slave address set to 0x28 as standard. It is possible to change the address by modifying specific data bits in the sensor EEPROM. The sensor is put into a programming mode and the I²C master device then sends special 4-byte commands.

IMPORTANT: *1. Be sure that only the specified data bits are changed. Writing data to other locations may cause the sensor to become permanently unusable.*
2. There must not be any other devices on the data bus sharing the default or proposed address of the NPA sensor. This can be achieved by one of the following methods:

- *Sensor programmed individually before connection to application circuitry.*
- *Application hardware configured to allow isolation of individual sensor for programming.*

The new address will be effective after the next power-on sequence.

4.7 Changing I²C Slave Address (cont.)

The procedure for changing the address is in Table 9 below:

Table 9: Changing I²C Slave Address

	Action	Data on I ² C Bus (hex values)				Notes
		Byte 1	Byte 2	Byte 3	Byte 4	
1	Put sensor into command mode	[7 bit address *] + [Write bit = 0]	A0	00	00	Data must be sent within 6ms of power up
2	Command to read EEPROM word 02 from sensor	[7 bit address *] + [Write bit = 0]	02	00	00	
3	Fetch EEPROM word 02	[7 bit address *] + [Read bit = 1]	5A (response byte)	Word 02 [bits 15:8]	Word 02 [bits 7:0]	
4	Modify Word 02 in user software					Bits [9:3]: I ² C address required Bits [12:10]: 011 (communication lock)
5	Write new version of Word 02 to sensor EEPROM	[7 bit address *] + [Write bit = 0]	42	Word 02 [bits 15:8]	Word 02 [bits 7:0]	
6	Exit command mode & start normal operating mode	[7 bit address *] + [Write bit = 0]	80	00	00	

*I²C address = 0x28 for standard parts

4.8 Diagnostic Features

The NPA-700 incorporates a range of diagnostic features to detect internal faults. The result of the check is sent as part of the digital output data. The first 2 bits of the first pressure byte (labeled 15 & 14 in Figure 9 on page 11) are status bits and are set to 00 if no errors are detected.

Bit [15]	Bit [14]	Meaning
0	0	Normal operation (good data).
0	1	The sensor is in a special mode used for programming.
1	0	The data present at the output has already been read since the last internal measurement cycle i.e. a repeat of previous reading. This will occur if the sensor is polled at a faster rate than the sensor's internal measurement process. It is recommended that polling should be slower than 1.67kHz (0.6ms interval).
1	1	Internal fault exists.

4.9 NPA-700 Sleep Mode

Standard signal-conditioned NPA sensors operate in a continuous measurement mode with current consumption of approximately 3mA.

For applications where reduced power consumption is required, special versions of NPA-700 are available with 'sleep mode' enabled. In 'standby' mode these sensors sit in a powered-down mode, consuming approximately 2µA at room temperature.

When a measurement is required, a special Read_MR command is sent over the I²C bus as shown in Figure 11 below.

Read_MR: Measurement Request

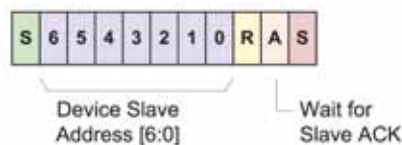


Figure 11: I²C Measurement Request Command

After the sensor responds with the slave ACK, the bus master should create a stop condition.

This command wakes up the sensor and starts an internal measurement cycle. When the measurements are made and the associated calculations are completed, the corrected values of pressure and temperature are written to the output register. The sensor then returns to 'sleep mode'. The values in the output register can then be read using the Data Fetch commands shown in section 4.4.

The same wake up function as the Read_MR command can also be accomplished by using the Read_DF2 or Read_DF3 commands described in section 4.4 and ignoring the "stale" data that will be returned.

5. Digital Output (Manchester Code)

5.1 General

The NPA sensor is available in two versions with digital output interface:

- Pressure data only: NPA-600 series
- Pressure & temperature data: NPA-601 series

The bit encoding is similar to Manchester in that clocking information is embedded into the signal (falling edges of the signal occur at regular periods). This allows the protocol to be largely insensitive to baud rate differences between the two ICs communicating. In user applications, the NPA sensor will be transmitting information and another IC in the system (typically a microcontroller) will read the data.

5.2 Block Diagram

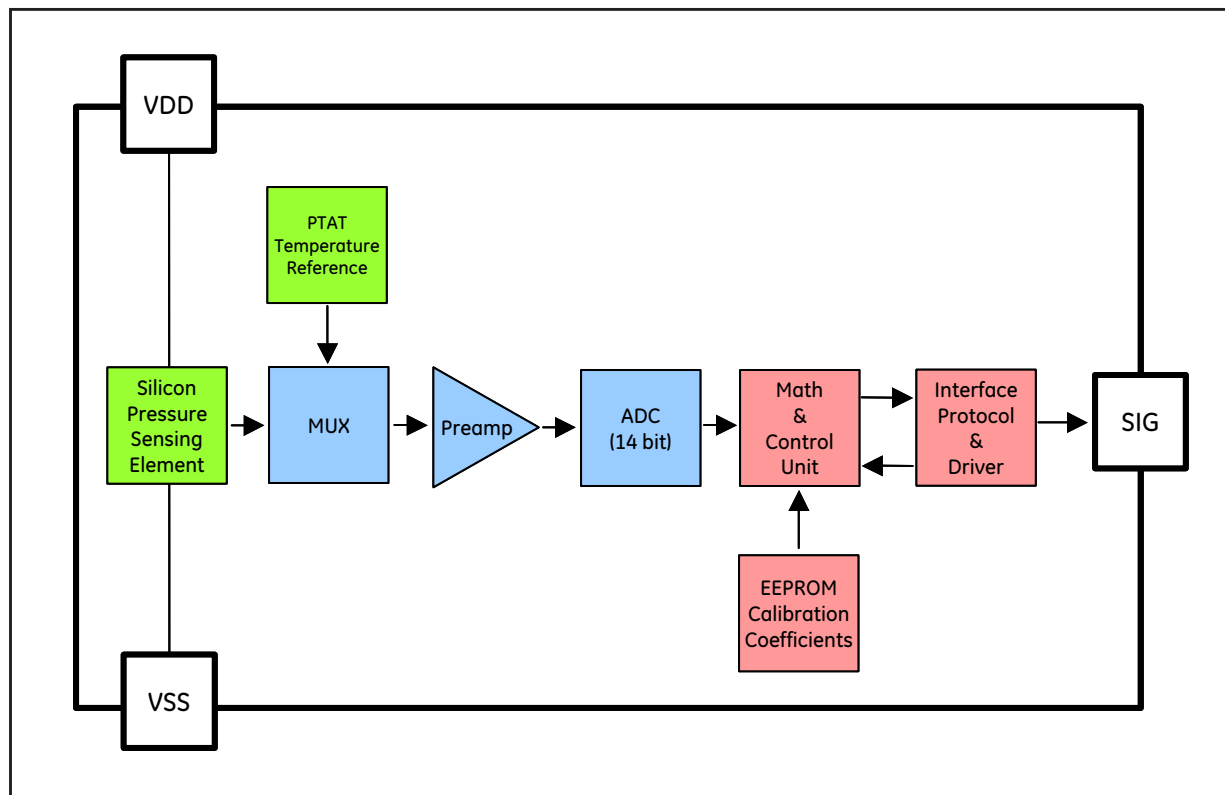


Figure 12: Block Diagram of NPA-600, NPA-601 Series

5.3 Pinout

Table 10: Pinout of NPA-600, NPA-601 Series

Pin #		Function
1		NC
2		NC
3		NC
4		NC
5		NC
6	VSS	Ground
7		NC
8	SIG	Serial Data
9	VDD	Supply Voltage
10		NC
11		NC
12		NC

Note:
NC = No connection
should be made to
these pins

5.4 Typical Application Circuits

The circuits in Figures 4,5 & 6 on page 6 can also be used for digital outputs with the following conditions:

- The load resistor and capacitor are not required.
- No pull-down resistor is allowed.
- If a line resistor or pull-up resistor is used, the requirement for rise time ($\leq 5 \mu\text{s}$) must be met.
- Standard versions are calibrated for 5V supply voltage; 3.3V is available to special order.

5.5 Bit Encoding

Data bits are transmitted as a Manchester duty-cycle encoded signal:

Start bit 50% duty cycle used to set up strobe time

Logic 1 75% duty cycle

Logic 0 25% duty cycle

Stop Bit High signal for half a bit width

There is a half stop bit time between bytes in a packet.

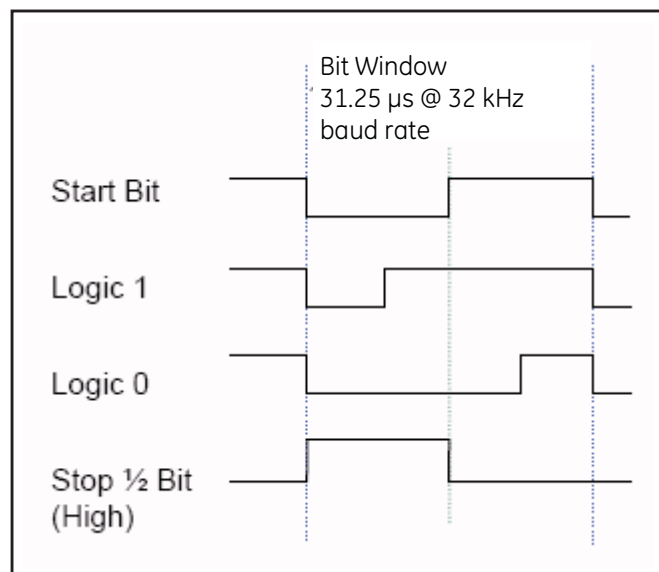


Figure 13: Manchester Duty Cycle

An oscilloscope trace of the data transmission demonstrates the bit encoding. Figure 14 on the next page shows a single packet of value 96 hex (= 10010110 bin = 150 dec) being transmitted. Because 96Hex is already even parity, the parity bit P is set to 0.

5.5 Bit Encoding (cont.)

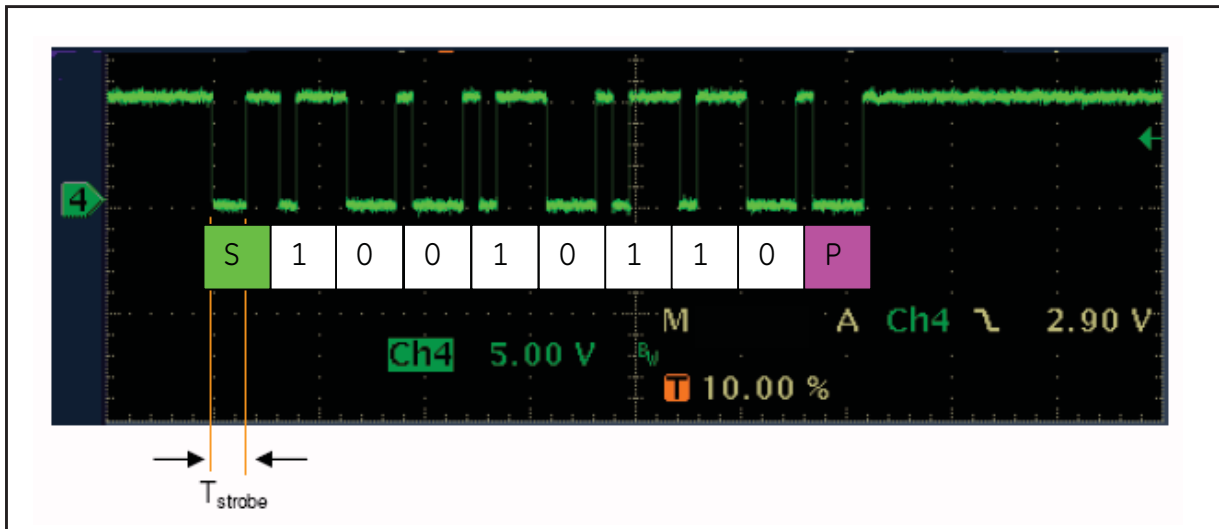


Figure 14: Oscilloscope Trace of Data Packet Transmission

5.6 Mode 1 - Pressure Only

The sensor first transmits the high byte of *pressure data*, followed by the low byte. The data resolution is 14-bits, so the upper two bits of the high byte are always zero padded. There is a half stop bit time between bytes in a packet. That means that, for the time of half a bit width, the signal level is high. Combining the high and low data bytes provides a 14-bit number corresponding to the pressure reading (see Figure 15 below).

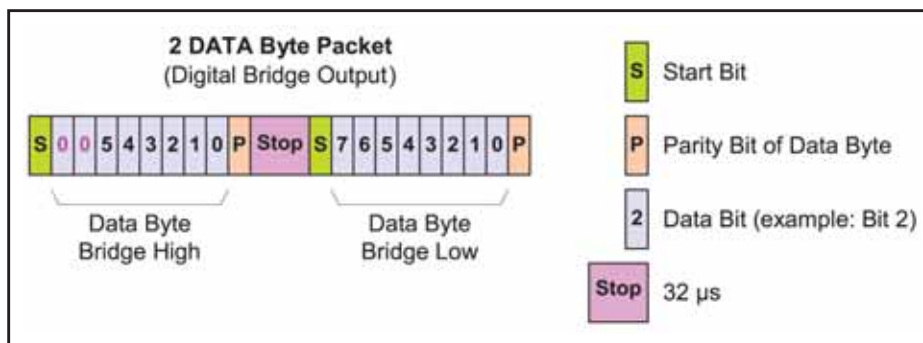


Figure 15: Digital Output Bridge Readings

5.7 Mode 2 - Pressure With Temperature

The second digital output mode is a *digital pressure reading* with a *temperature reading*, which is transmitted as a 3-data-byte packet (see Figure 16 below). The temperature byte represents an 8-bit value ranging from -50°C to +150°C.

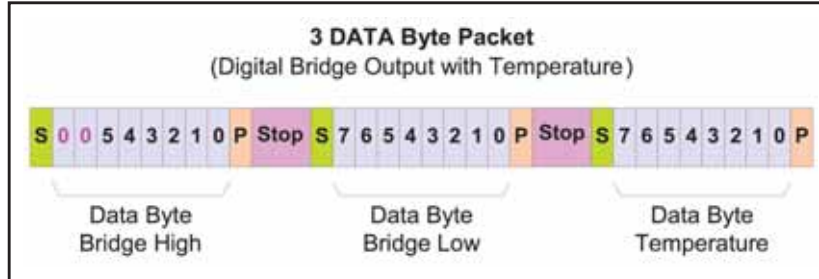


Figure 16: Digital Output Bridge Readings with Temperature

5.8 Data Transmission

Data is transmitted in packets as shown in Figure 17 below.

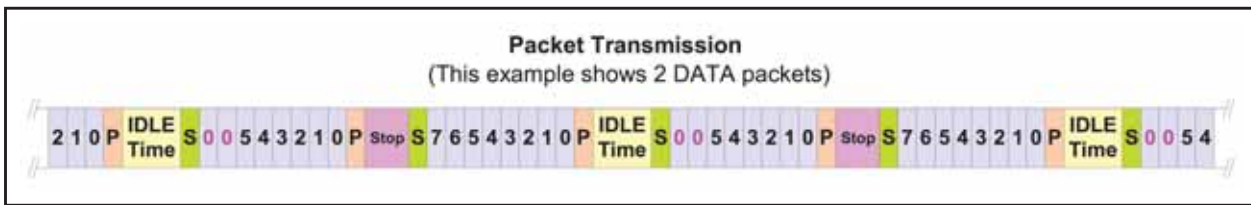


Figure 17: Transmission of data packets (NPA-600 pressure only mode)

The total transmission time for both of digital output modes is shown in Table 11 below:

Table 11: Data Transmission Times

Baud Rate	Bit Length	Idle Time*	Transmission Time (Pressure Only)		Transmission Time (Pressure&Temperature)	
			# Bits	Total Time (inc. Idle)	# Bits	Total Time (inc. Idle)
32 kHz	31.25 μs	1.0 ms	20.5	1.64 ms	31.0	1.97 ms
*The idle time between packets can vary by a nominal ±15% between parts, and over a temperature range of -50 to +150°C.						

5.9 How to Read a Data Packet

When the falling edge of the start bit occurs, measure the time until the rising edge of the start bit. This time (T_{strobe}) is the strobe time. When the next falling edge occurs, wait for time period equal to T_{strobe} , and then sample the signal. The data present on the signal at this time will be the bit being transmitted.

Because every bit starts with a falling edge, the sampling window is reset with every bit transmission. This means errors will not accrue for bits downstream from the start bit, as it would with a protocol like RS232. It is recommended that when acquiring the start bit, the sampling rate should be at least 16x the nominal baud rate i.e. $16 \times 32 \text{ kHz} = 512 \text{ kHz}$.

5.10 How to Read a Data Packet Using a Microcontroller

It is best to connect the digital signal to a pin on the microcontroller that is capable of causing an interrupt on a falling edge. When the falling edge of the start bit occurs, it causes the microcontroller to branch to its ISR. The ISR enters a counting loop incrementing a memory location (T_{strobe}) until it sees a rise on the digital signal. When T_{strobe} has been acquired, the ISR can simply wait for the next nine falling edges (8-data, 1-parity). After each falling edge, it will wait for T_{strobe} to expire and then sample the next bit.

The digital line is driven by a strong CMOS push/pull driver. The parity bit is intended for error checking when the digital signal is driving long (>2m) interconnects to the microcontroller in a noisy environment. For systems in environments without noise interference, the user can choose to have the microcontroller ignore the parity bit.

5.11 8051 C++ Code Example

The following code reads the digital transmission of pressure data (2 bytes). The code also includes functionality to switch the sensor power to reduce consumption in battery-powered applications.

It is assumed that the NPA digital output is connected to the PORT 0 (0x80hex) of the 8051 microcontroller. This code is for a microcontroller running at 24.5 MHz. However, frequencies from 8 to 24.5 MHz can also be used, in which case the number of nop (No Operation) commands in the wait routine should be adjusted accordingly.

```

Hi#define PWR_PIN 0x40
#define SIG_PIN 0x80
#define PORT P2

/*****
* FUNCTION MACROS
*****/

#define NPA_INIT()

{
    SFRPAGE = CONFIG_PAGE;
    PORT_CONFIG |= PWR_PIN;
    PORT &= ~PWR_PIN; /* power */
    PORT_CONFIG &= ~SIG_PIN;
    PORT |= SIG_PIN; /* signal */
}

#define NPA_ON()    SFRPAGE = CONFIG_PAGE;    PORT |= PWR_PIN;

#define NPA_OFF()   SFRPAGE = CONFIG_PAGE;    PORT &= ~PWR_PIN;

#define NPA_SIGNAL() (PORT & SIG_PIN)

/*****
* Blocking wait function
* Assuming MCU runs at 24.5MHz, 1 nop = 1/(24.5MHz ÷ 8) µs = ~0.33µs
* Number of nops for 15 µs = 15 ÷ 0.33 = 45
*****/

#define WAIT_15_US()
_nop_();_nop_();_nop_();_nop_();_nop_();_nop_();_nop_();_nop_();_nop_();_nop_();
_nop_();_nop_();_nop_();_nop_();_nop_();_nop_();_nop_();_nop_();_nop_();_nop_();
_nop_();_nop_();_nop_();_nop_();_nop_();_nop_();_nop_();_nop_();_nop_();_nop_();
_nop_();_nop_();_nop_();_nop_();_nop_();_nop_();_nop_();_nop_();_nop_();_nop_();
_nop_();_nop_();_nop_();_nop_();_nop_();_nop_();_nop_();_nop_();_nop_();_nop_();

```

```

/*****
* Function : getNPAPressure
* Description : reads from the NPA its output value
* Parameters : pointer for return value
* Returns : read value
*****/

UINT16 getNPAPressure (UINT16 *Pressure_value16)
{
    UINT16 Pressure_value1 = 0;
    UINT16 Pressure_value2 = 0;
    UINT8 i;
    UINT16 Pressure;
    UINT8 parity;
    NPA_ON();
    sleep(200); // wait for stabilization
    SFRPAGE = CONFIG_PAGE;
    while (NPA_SIGNAL()); // wait until start bit starts
    // wait, TStrobe
    while (NPA_SIGNAL() == 0x00);
    // first data byte
    // read 8 data bits and 1 parity bit
    for (i = 0; i < 9; i++)
    {
        while (NPA_SIGNAL()); // wait for falling edge
        WAIT_15_US();
        if (NPA_SIGNAL())
            Pressure_value1 |= 1 << (8-i); // get the bit
        else
            while (NPA_SIGNAL() == 0x00); // wait until line comes high again
    }
    // second byte
    while (NPA_SIGNAL());
    // wait, TStrobe
    while (NPA_SIGNAL() == 0x00);
    // read 8 data bits and 1 parity bit
    for (i = 0; i < 9; i++)
    {
        while (NPA_SIGNAL()); // wait for falling edge
        WAIT_15_US();
        if (NPA_SIGNAL())
            Pressure_value2 |= 1 << (8-i); // get the bit
        else
            while (NPA_SIGNAL() == 0x00); // wait until line comes high again
    }
}
NPA_OFF(); // switch NPA off

```

```

// check parity for byte 1
parity = 0;

for (i = 0; i < 9; i++)
if (Pressure_value1 & (1 << i))
parity++;
if (parity % 2)
return FALSE;
// check parity for byte 2
parity = 0;
for (i = 0; i < 9; i++)
if (Pressure_value2 & (1 << i))
parity++;
if (parity % 2)
return FALSE;
Pressure_value1 >>= 1; // delete parity bit
Pressure_value2 >>= 1; // delete parity bit
Pressure = (Pressure_value1 << 8) | Pressure_value2;
*Pressure_value16 = Pressure;
return TRUE; // parity is OK
}

/*****
* Function : cmdGetNPAPValue
* Description : converts digital pressure value to pressure in real units
* Parameters : none
* Returns : none
* Notes : none
*****/
void cmdGetNPAPValue (void)

{
    UINT16 Pressure_value;
    float Pressure_float;
    float pressure_min = -1.25; // pressure corresponding to output value 0 dec
    float pressure_max = 11.25; // pressure corresponding to output value 16383 dec
    // values dependant on specific sensor rating
    // values shown are for sensor with full range of -1.25 to +11.25 inH2O
    printf("cmdGetNPAPValue\n");
    NPA_INIT(); // init the I/O pins used for the NPA
    NPA_OFF(); // switch the NPA off until use
    if (getNPAPressure(&Pressure_value))
    {
        Pressure_float = ((float)Pressure_value * (pressure_max - pressure_min) / 16383
+ pressure_min; // conversion to real pressure units
        SFRPAGE_UART();
        printf("Pressure %u, %2.1f\n", Pressure_value, Pressure_float);
    }
}

```

5.12 PIC1 Assembly Code Example

The following code reads the digital transmission of pressure data (2 bytes). It is assumed that the NPA digital output is connected to the interrupt pin (PORTB,0) of the PIC and that the interrupt is configured for falling edge interruption. This code would work for a PIC running between 3 and 20 MHz.

```
Pressure_high EQU 0x24           ;; memory location reserved for pressure high byte
Pressure_low EQU 0x25           ;; memory location reserved for pressure low byte
                                ;; this byte must be consecutive from Pressure_high
LAST_LOC EQU 0x26              ;; this byte must be consecutive from Pressure_low
Tstrobe EQU 0x26               ;; location to store start bit strobe time.
ORG 0x004                      ;; ISR location
```

```
.....
;; Code to save any required state and to determine the source of the ISR goes here. ;;
;; After the source is determined, if the interrupt was a transmission from NPA then ;;
;; branch to NPA_TX.                                                    ;;
.....
```

```
NPA_TX:    movlw Pressure_high    ; move address of Pressure_high (0x24) to W reg
           movwf FSR             ; FSR = indirect pointer, pointing to Pressure_high
```

```
GET_Plow:  movlw 0x02            ; Start Tstrobe counter at 02 to account for
           movwf Tstrobe        ; overhead in getting to this point of ISR
           clrf INDF            ; clear the memory location pointed to by FSR
```

```
STRB:     incf Tstrobe,1        ; Increment Tstrobe
           btfsc STATUS,Z      ; if Tstrobe overflowed to zero then
           goto RTI            ; something is wrong and return from interrupt
           btfss PORTB,0       ; look for rise in NPA signal
           goto STRB           ; if rise has not yet happened increment Tstrobe
           clrf bit_cnt        ; memory location used as bit counter
```

```
BIT_LOOP: clrf strb_cnt        ; memory location used as strobe counter
           clrf time_out       ; memory location used for edge time out
```

```
WAIT_FALL: btfss PORTB,0      ; wait for fall in NPA signal
           goto PAUSE_STRB     ; next falling edge occurred
           incfsz time_out,1   ; check if edge time out counter overflowed
           goto RTI            ; edge time out occurred.
           goto WAIT_FALL
```

```
PAUSE_STRB:incf strb_cnt,1    ;; increment the strobe counter
           movf Tstrobe,0     ;; move Tstrobe to W reg
           subwf strb_cnt,0   ;; compare strb_cnt to Tstrobe
           btfss STATUS,Z    ;; If equal then it is time to strobe
           goto PAUSE_STRB   ;; NPA signal for data, otherwise keep counting
           ;; Length of this loop is 6 states. This must
           ;; match length of the loop that acquired Tstrobe
```

```

        bcf STATUS,C           ;; clear the carry
        btfsc PORTB,0         ;; sample the NPA signal
        bsf STATUS,C         ;; if signal was high then set the carry
        rlf INDF,1           ;; rotate carry=NPA into LSB of register
                               ;; that FSR currently points to
        clrf time_out        ;; clear the edge timeout counter

WAIT_RISE: btfsc PORTB,0         ;; if rise has occurred then done
           goto NEXT_BIT
           incfsz time_out,1     ;; increment the edge time out counter
           goto WAIT_RISE
           goto RTI             ;; edge time out occurred.

NEXT_BIT:  incf bit_cnt,1       ;; increment bit counter
           movlw 0x08          ;; there are 8 bits of data
           subwf bit_cnt,0     ;; test if bit counter at limit
           btfss STATUS,Z     ;; if not zero then get next bit
           goto BIT_LOOP
           clrf time_out       ;; clear the edge time out counter

WAIT_PF:  btfss PORTB,0         ;; wait for fall of parity
           goto P_RISE
           incfsz time_out,1    ;; increment time_out counter
           goto WAIT_PF
           goto RTI            ;; edge timeout occurred

P_RISE:   clrf time_out        ;; clear the edge time out counter

WAIT_PR:  btfsc PORTB,0         ;; wait for rise of parity
           goto NEXT_BYTE
           incfsz time_out,1    ;; increment edge time out counter
           goto WAIT_PR
           goto RTI            ;; Edge time out occurred

NEXT_BYTE: incf FSR,1          ;; increment the INDF pointer
           movlw LAST_LOC
           subwf FSR,0         ;; compare FSR to LAST_LOC
           btfss STATUS,Z     ;; if equal then done
           goto WAIT_Plow

```

```

.....
;; If here, then done reading the NPA signal and have the data ;;
;; in Pressure_high & Pressure_low
.....

```

```

WAIT_Plow: clrf time_out

```

```
WAIT_PLF:  btfss PORTB,0           ; wait for fall of PORTB,0 indicating
           goto GET_Plow         ; start of pressure low byte
           incfsz time_out
           goto WAIT_PLF
           goto RTI              ; edge timeout occurred

RTI:       .....
           ;; Restore any state saved at beginning of ISR ;;
           .....
           bcf INTCON,INTF       ;; clear interrupt flag
           bsf INTCON,INTE       ;; ensure interrupt re-enabled
           retfie                ;; return from interrupt
```

6. Uncalibrated Versions

6.1 General

The NPA-100 series provides the raw bridge output from the MEMS pressure sensing die (uncalibrated and uncompensated) so that the user can add custom signal conditioning circuitry as required.

6.2 Block Diagram

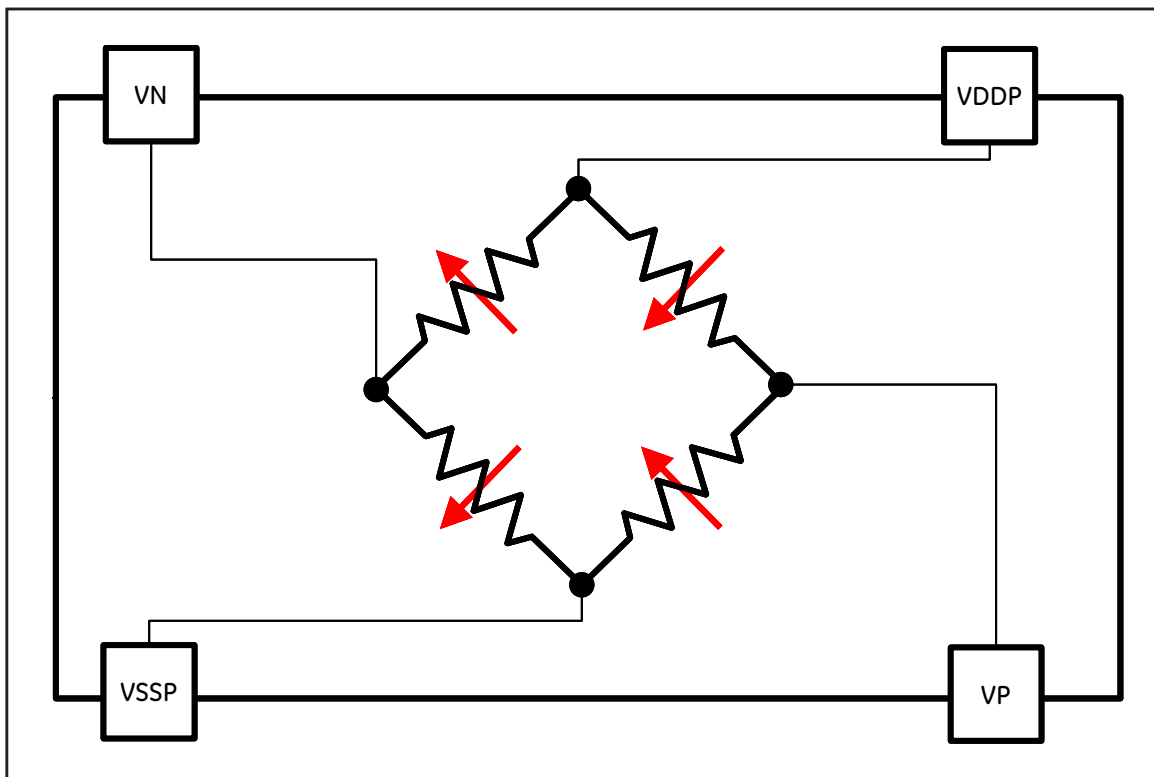


Figure 18: Block Diagram of NPA-100 Series

6.3 Pinout

Table 12: Pinout of NPA-100 Series

Pin #		Function
1		NC
2		NC
3	VN	Negative Output
4	VSSP	Negative excitation
5		NC
6		NC
7		NC
8		NC
9		NC
10		NC
11	VP	Positive Output
12	VDDP	Positive excitation

Note: NC = No Connection should be made to these pins.

7. Package Dimensions

7.1 Manifold Fitting

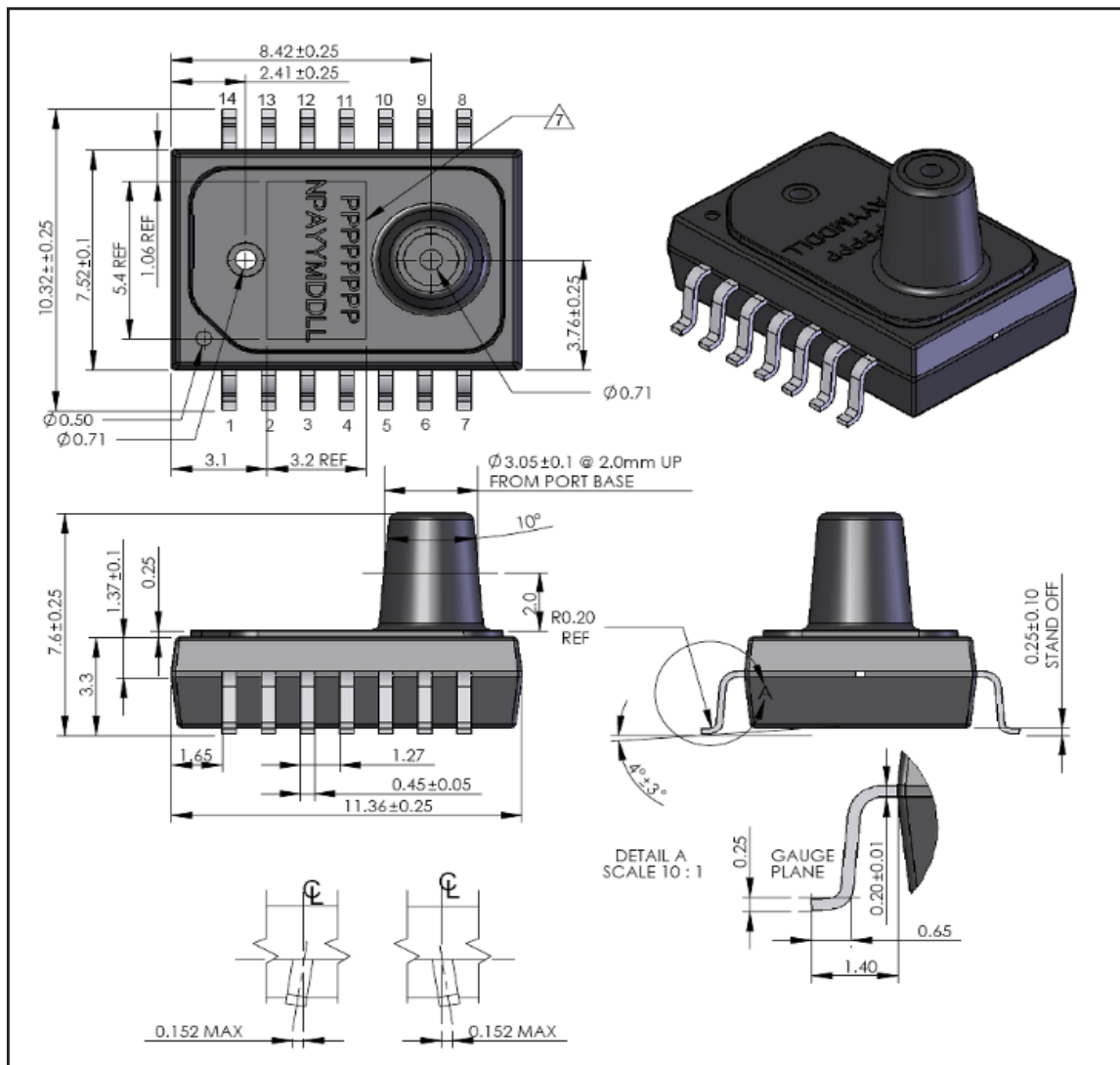
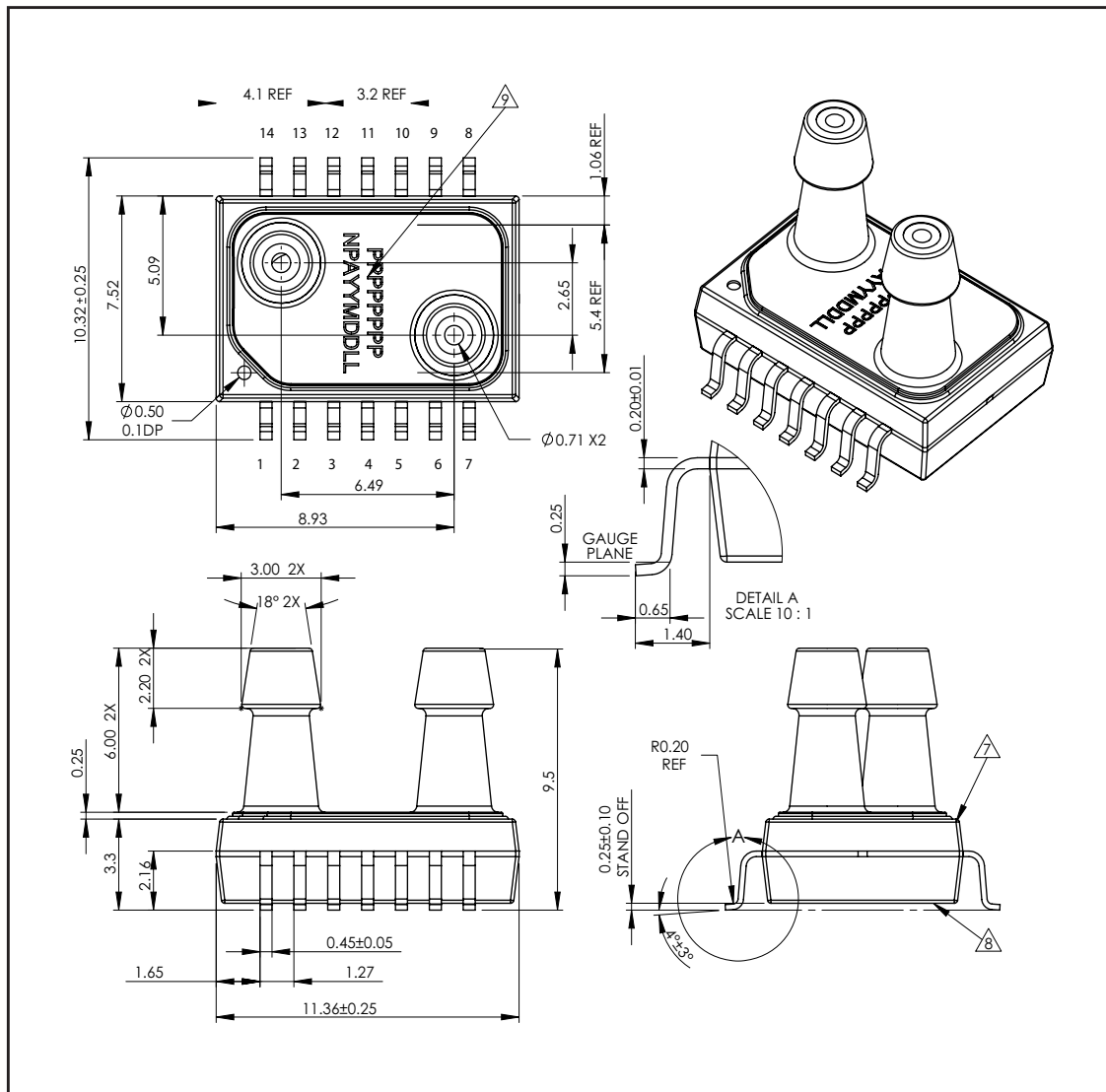


Figure 19: Package Dimensions (mm) - Manifold Fitting

7.2 Barbed Fitting

Versions with barbed fittings are available for use with flexible tubing. Recommended tube size is 3/32" I.D. x 7/32" O.D. (1/16" wall thickness).

Barbed fittings can also be used for manifold connections with appropriate sealing features.



7.2 Barbed Fitting (cont.)

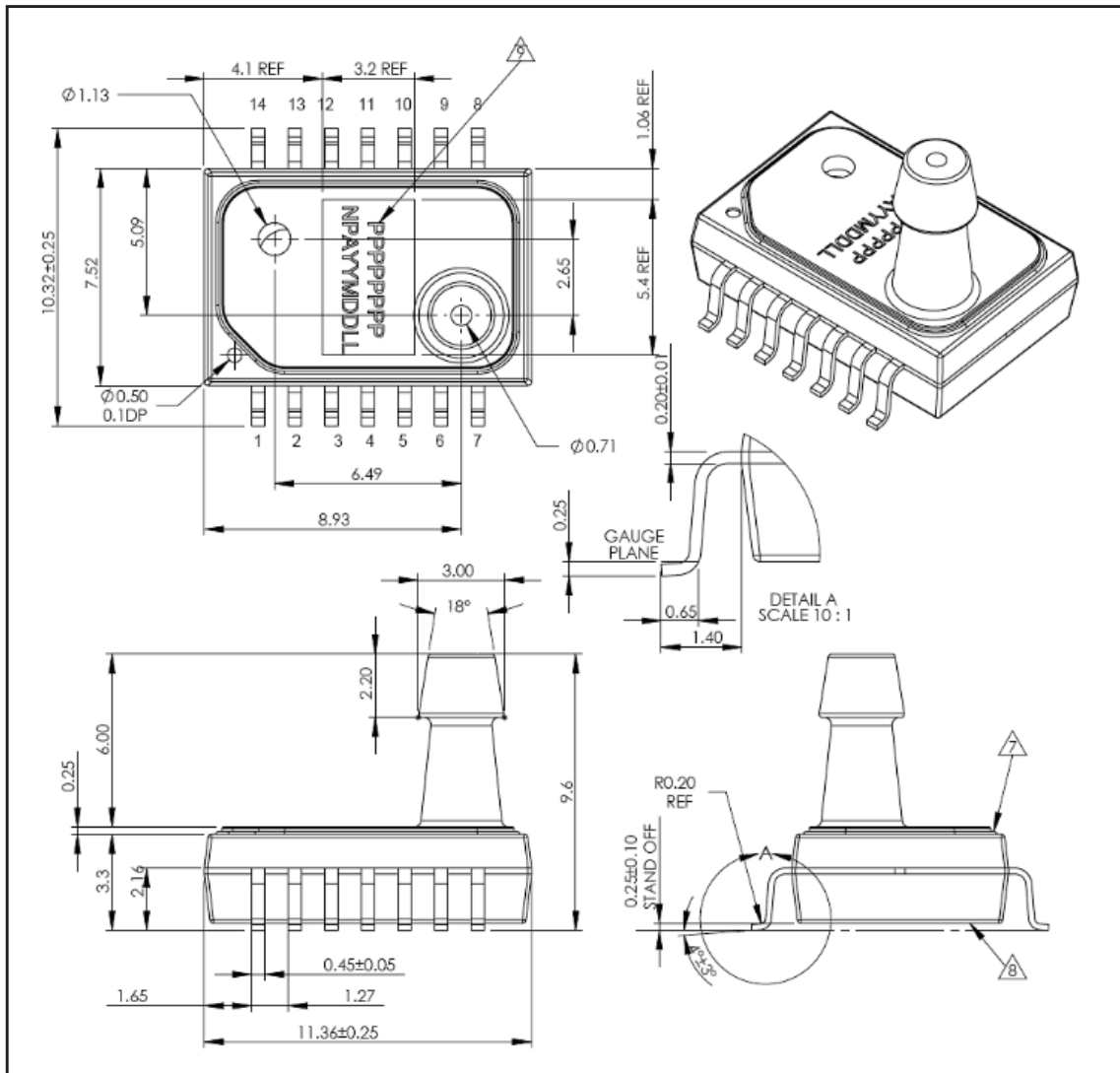


Figure 21: Package Dimensions (mm) - Barbed Fitting, 1 Port (available to special order)

7.3 No Port

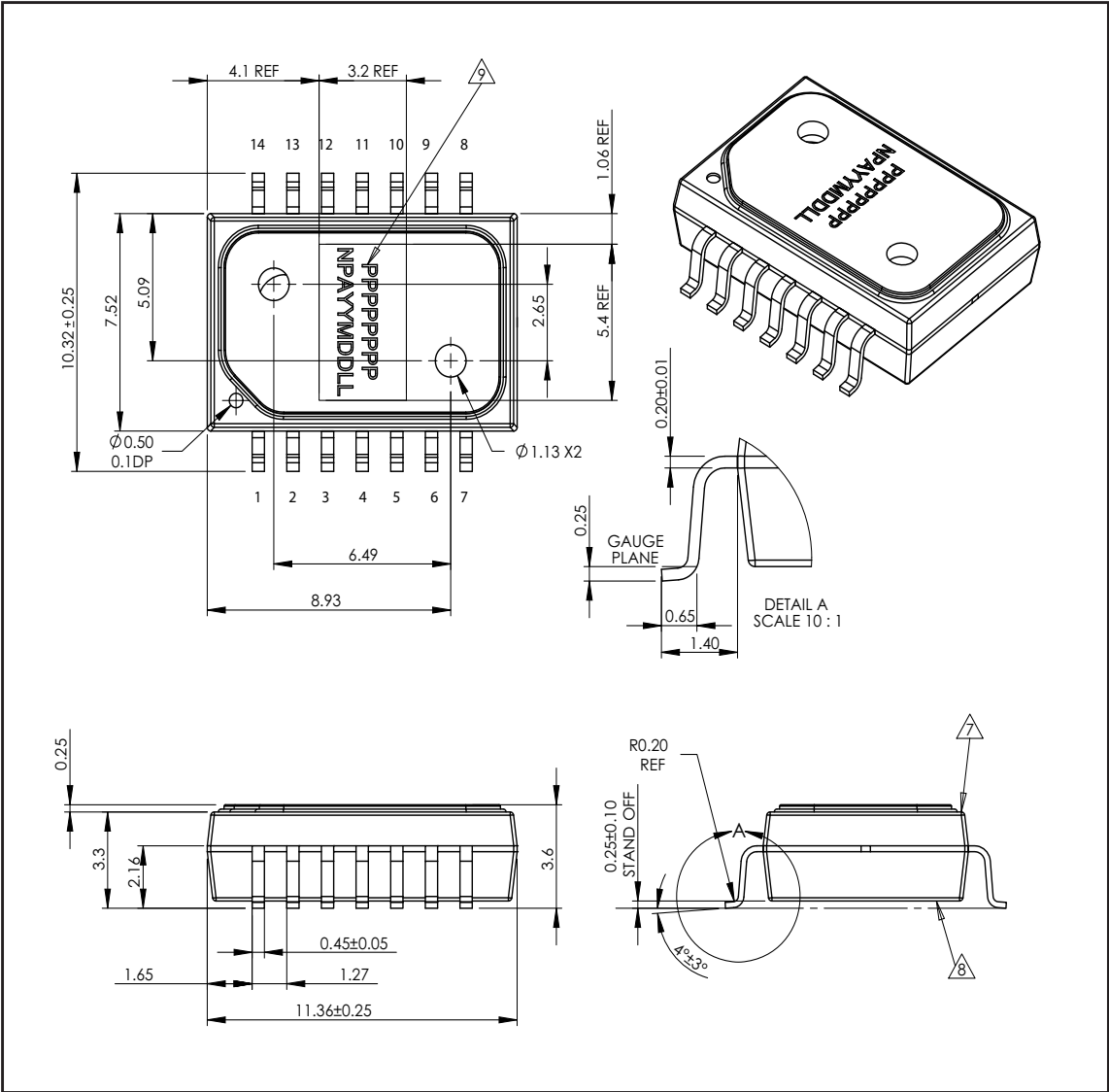


Figure 22: Package Dimensions (mm) - No Port

7.4 Dead Volume

For some applications it is important to know the volume of gas held within the interior volume of the sensor package ('dead volume'). Table 13 gives approximate values for the standard combinations of port style and pressure rating.

Table 13: Estimated Dead Volumes

Pressure Rating	Dead Volume (mm ³)		
	Dual Barb	1 Manifold	No Ports
10 "H2O, 1 psi	22.0	22.0	17.8
5 psi	22.6	22.6	18.5
15 psi	22.6	22.5	18.4
30 psi	22.5	22.5	18.4

8. Pressure Port Connections

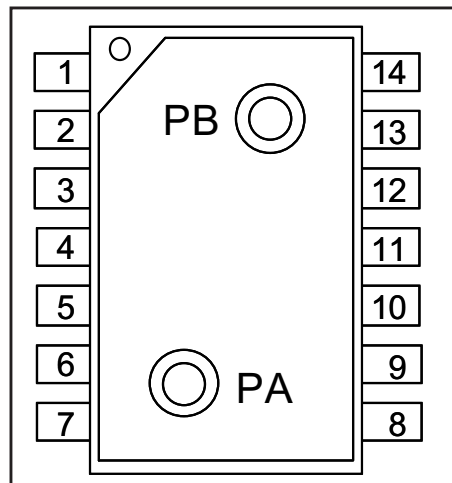


Figure 23: Pressure Port Locations

Table 14: Pressure Port Connections

Pressure Type	PA (primary)	PB (secondary)
Absolute	Pressure	No connection
Gauge	Pressure	Vent to atmosphere
Differential	+ Pressure	- Pressure

9. Suggested PCB Pad Layout

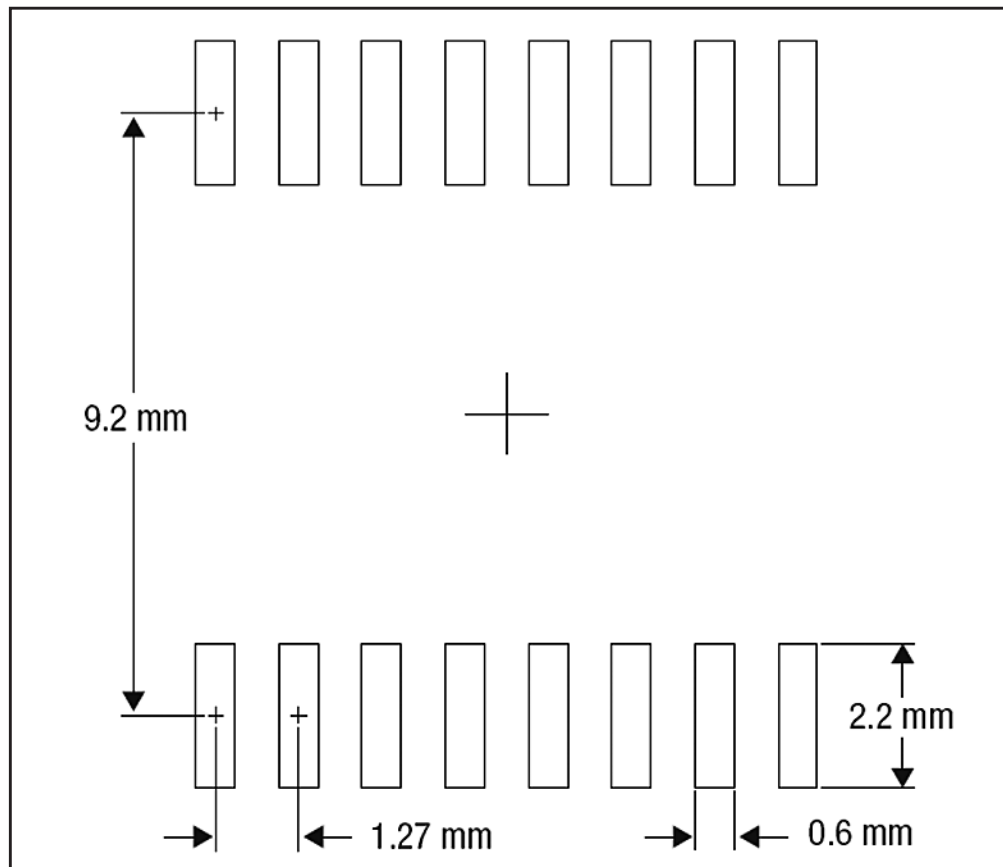


Figure 24: Suggested PCB Pad Layout (SOIC14 Wide Package)

10. Soldering

10.1 Standard Reflow Soldering

The NPA sensor can be soldered using standard reflow ovens (including lead-free soldering) with the following conditions:

- *Maximum temperature:* 250°C for 30 seconds
- *Solder paste:* Use “No-Clean” solder paste only
- *PCB cleaning:* Do not clean or wash circuit boards after soldering

The NPA is classified as *moisture sensitivity level (MSL) 5a*, as defined in *Jedec standard J-STD-20*. Product is supplied on carrier tape/reels sealed in moisture-proof bags. Bags are labeled with guidelines on thermal conditioning prior to reflow soldering. Users should follow these instructions in conjunction with *Jedec specification J-STD-033*.

The floor life (out of bag) at factory ambient $\leq 30^{\circ}\text{C}/60\% \text{RH}$ is 24 hours. If partial lots are used, the remaining sensors must be resealed or placed in safe storage within 1 hour of bag opening. If 1 hour is exceeded, the taped parts should be removed from the reel and baked at 100°C for 24 hours.

10.2 Manual Soldering

- *Contact time:* Limited to 5 seconds at up to 350°C

11. Device Branding

Production units are branded with a 2 line code giving product and date information:

PPPPPPP	Product code
NPAYYMDDL	Manufacturing date

YY:	Year
M:	Month
DD:	Day
LL:	Lot #

Customer Support Centers

U.S.A.
Sales and Services
(Repair/Calibration):
Amphenol Thermometrics, Inc.
St Marys Center
967 Windfall Road
St Marys, Pennsylvania 15857
U.S.A.
T: 814-834-9140
F: 814-781-7969

U.S.A.
Technical Support:
Amphenol Thermometrics, Inc.
St Marys Center
967 Windfall Road
St Marys, Pennsylvania 15857
U.S.A.
T: 814-834-9140
F: 814-781-7969

Amphenol Advanced Sensors
1055 Mission Court
Fremont, CA 94359-8203

Europe, Asia and Middle East
Sales and Service:
Amphenol Thermometrics (UK) Ltd.
Crown Industrial Estate
Priorswood Road
Taunton
Somerset
TA2 8QY
T: +44 (0) 1823 335200
F: +44 (0) 1823 332637

Brazil
Sales and Service
Amphenol Headquarters - Brazil
Rua Diogo Moreira, 132-20° Andar
Sao Paulo - SP
Brazil
T: +55 11 3815 1003

China:
Amphenol (Changzhou)
Connector Systems
305 Room, 5D
Jintong Industrial Park
Wujin, Changzhou, Jiangsu, China
T:+86 519 8831 8080 ext. 50087
F:+86 519 8831 2601

Amphenol

Advanced Sensors

www.amphenol-sensors.com

©2015 Amphenol Thermometrics, Inc. All rights reserved.
Technical content subject to change without notice.