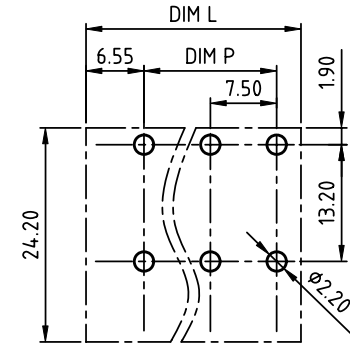
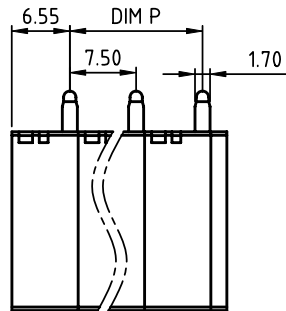
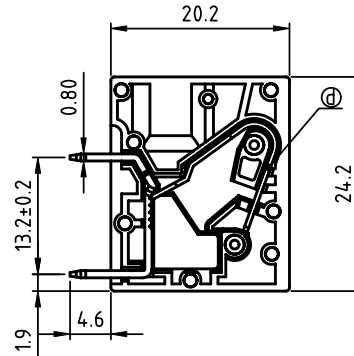
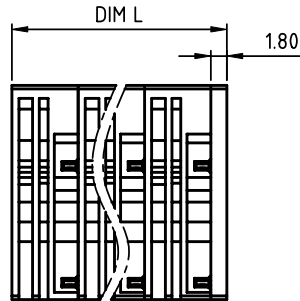
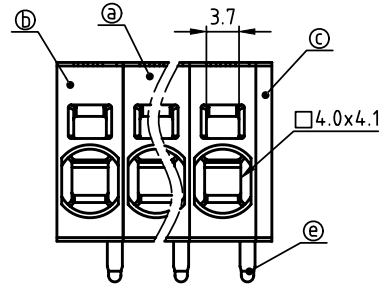


PRODUCT NUMBER	PITCH
NKxxA1x000J0G	7.50mm



RECOMMENDED P.C.B LAYOUT
TOP VIEW

Material:

- Item① Terminal body: Thermoplastic (UL94V-0)
- Item② Terminal side body: Thermoplastic (UL94V-0)
- Item③ Terminal cover: Thermoplastic (UL94V-0)
- Item④ Solder pin: Copper, Tin Plated
- Item⑤ Spring clamp: Stainless steel

Electrical:	cULus Use group(B)	Use group(C)	Use group(D)
●Voltage rating:	300 V	150 V	600 V
●Current rating(Sol):	30 A	30 A	5 A
●Current rating(Str):	35 A	35 A	5 A
●Solid wire(AWG):	10-24		
●Stranded wire(AWG):	8-24		
●Wire strip length:	15-16 mm		
●Withstanding Voltage:	1.6KV		
●Operating temperature:	-40°C to +115°C		
●Soldering temperature:	260°C±5°C/5 Sec		
●Safety Approval:			

N=Number of poles
Dim L=N×7.5+1.8
Dim P=(N-1)×7.5

POLES	Dim L	Dim P
1p	±0.10	
2-6p	±0.15	±0.15
7-12p	±0.25	±0.25
13-16p	±0.35	±0.35

PART NO.: NK xx A1 x 000J0 G

	No. of poles	Color	RoHS compliant
	0	Black (RAL9005)	(lead<4%)
End Stackable	2	Red (RAL3001/D)	In copper Alloy
01	1 poles	3 Orange(RAL2011/P)	
02	2 poles	4 Yellow(RAL1018/A)	
...	...	5 Green(RAL6018/T)	
16	16 poles	6 Blue (RAL5015/A)	
		8 Grey(RAL7004/P)	
		9 White(RAL1102)	
		C Multiple colors	

mat'l. code		surface ASME Y14.5	tolerance ASME Y14.5	projection	product family TERMINAL BLOCK
ltr	ecn no	dr	date		title TERMINAL BLOCK
tolerances unless otherwise specified				MM	SPRING CLAMP,180D WIRE INLET,PARALLEL TAIL A TYPE
angles				scale	dwg no
X°±1'					sheet 1 of 1 size
dr					NKxxA1x000J0G
enr					A4
chr					type
appd					CUSTOMER Drawing
sheet index	revision	A			
	sheet	1			