

# Customer Information Sheet

DRAWING No.: Z80-295

2 OF 2

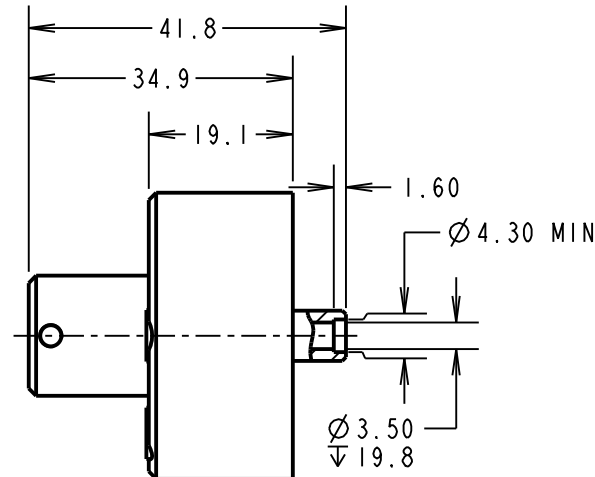
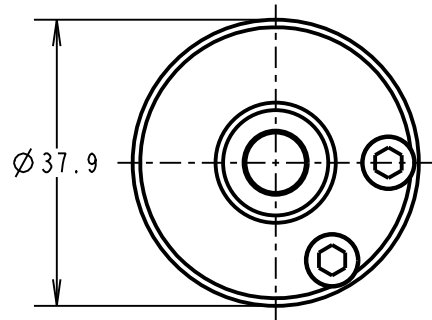
IF IN DOUBT - ASK

(C)

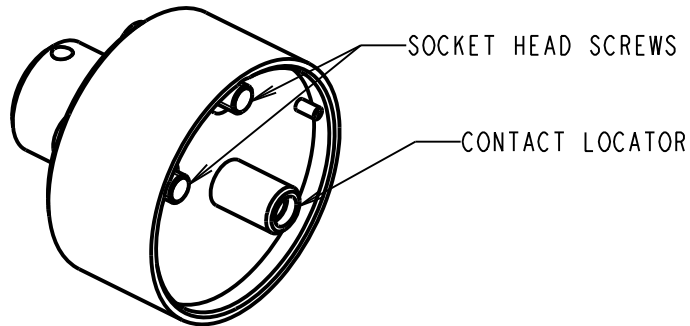
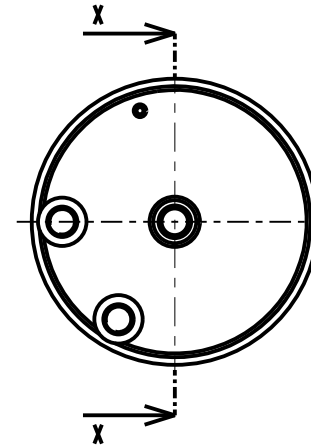
NOT TO SCALE

THIRD ANGLE PROJECTION

ALL DIMENSIONS IN mm



PART SECTION X-X



SOCKET HEAD SCREWS

CONTACT LOCATOR

NOTES:

- USE WITH HAND CRIMP TOOL Z80-294 (M22520/1-01)  
SEE INSTRUCTION SHEET IS-29.

SM	3	15.12.10	11057
NAME	ISS.	DATE	C/NOTE
APPROVED: S. MCCULLAGH			
CHECKED: R. ADDE			
DRAWN: MARK G PLESTED			
CUSTOMER REF.:			
ASSEMBLY DRG:			

**HARWIN**

THIS DRAWING AND ANY INFORMATION OR DESCRIPTIVE MATTER SET OUT HEREON ARE CONFIDENTIAL AND COPYRIGHT PROPERTY OF THE HARWIN GROUP AND MUST NOT BE DISCLOSED, LOANED, COPIED OR USED FOR MANUFACTURING, TENDERING OR FOR ANY OTHER PURPOSE WITHOUT THEIR WRITTEN PERMISSION.

TOLERANCES

X. = ±1mm  
X.X = ±0.25mm  
X.XX = ±0.10mm  
X.XXX = ±0.01mm  
ANGLES = ±5°  
UNLESS STATED

MATERIAL:

FINISH:

S/AREA:

mm<sup>2</sup>

TITLE:

DATAMATE MIX-TEK HAND CRIMP POSITIONER TP1663

DRAWING NUMBER:

**Z80-295**

SHT

2 OF 2

HARWIN USA

TEL: 603 893 5376  
FAX: 603 893 5396  
mis@harwin.com

HARWIN Europe (UK)

TEL: 023 9231 4545  
FAX: 023 9231 4590  
mis@harwin.co.uk

HARWIN Asia

TEL: +65 6 779 4909  
FAX: +65 6 779 3868  
mis@harwin.com.sg