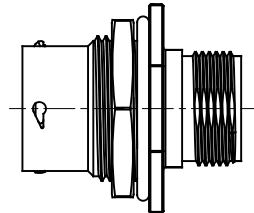
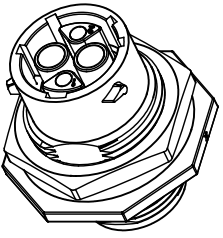
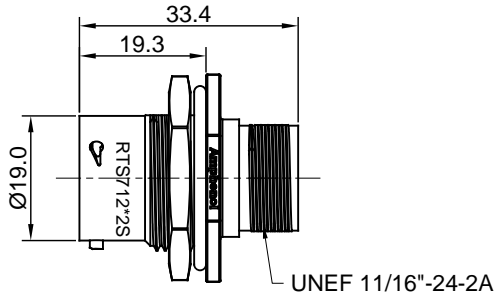
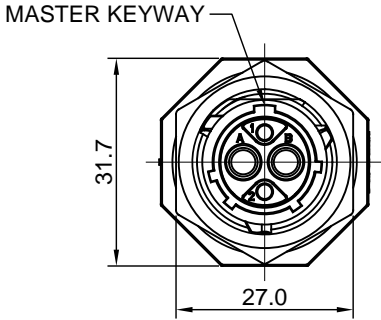
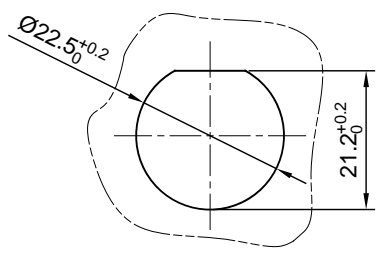


REVISIONS					
REV	ECO	DESCRIPTION	DATE	BY	APPR
A1		FIRST RELEASED	Jun.15.2016	Drack	Tommy
A2		UPDATE THE DRAWING	Jun.29.2016	Drack	Tommy



NOTES : (UNLESS OTHERWISE SPECIFIED)

- MATERIAL :  
SHELL : THERMOPLASTIC , UL94 V-0.  
INSERT : THERMOPLASTIC , UL94 V-0.  
O-RING : NBR OR SR  
SEAL GASKET : NBR OR SR.  
JAM NUT : AL ALLOY , BLACK ANODIZING.
- SPECIFICATIONS :  
2.1, RATED CURRENT : 2.5mm CONTACT: 23A (MAX).  
20# CONTACT: 5A (MAX).  
2.2, RATED VOLTAGE : 350V(AC/DC).  
2.3, OPERATING TEMPERATURE : SEE TABLE.  
2.4, DIELECTRIC WITHSTANDING VOLTAGE : LESS THAN  
2 MILLIAMPS CURRENT LEAKAGE@2000 VOLTS AC.  
2.5, INSULATION RESISTANCE : 5000 MEGOHMS MIN.  
2.6, IP-CLASS : IP67.  
2.7, MATING CYCLES DURABILITY : 500 CYCLES MIN.  
2.8, RoHS COMPLIANT.
- SUITABLE CONTACTS : 2.5mm SCOKET CONTACTS.  
20# SOCKET CONTACT.
- ALL DIMENSIONS ARE FOR REFERENCE USE ONLY.



MOUNTING HOLE

KEY	PART NUMBER	
		-40°C ~ 105°C
N	RTS712N2S	RTS712N2S03

QUANTITY	PART NUMBER	DESCRIPTION	ITEM
<b>MATERIALS LIST</b>			
UNLESS OTHERWISE SPECIFIED 1) All dimensions are in metric(mm). 2) Tolerances are as follows: 1 PL DEC ±0.30 Fractions ±1/64 2 PL DEC ±0.15 Angles ±1° 3 PL DEC ±0.08		<b>Amphenol</b> Sine Systems - www.amphenol-sine.com 44724 Morley Drive Clinton Township, MI 48036	
MATERIAL SPECIFICATIONS:		ECO-MATE,RECEPTACLE, JAM NUT, 2POS,SOCKET CONTACT,SIZE 12	
PROCESS SPECIFICATIONS:		SIZE B C- SCALE NONE	DWG NO. RTS712*2Sxx REVISION A2
NEXT ASSY:		SHEET 1 OF 1	

TITLE: ECO-MATE,RECEPTACLE, JAM NUT, 2POS,SOCKET CONTACT,SIZE 12  
DWG NO.: RTS7122Sxx  
REV: A2  
SH: 1  
OF: 1