

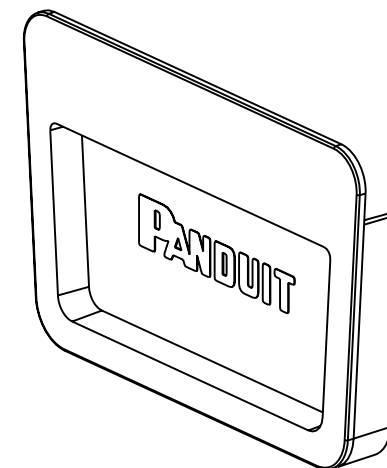
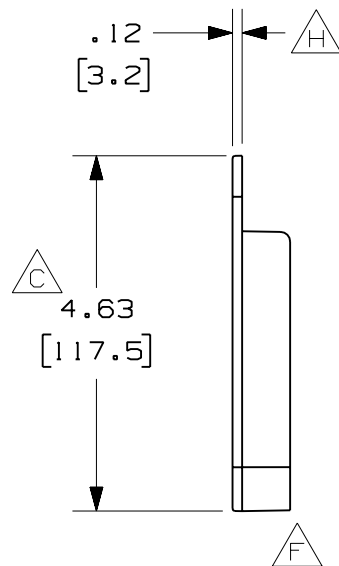
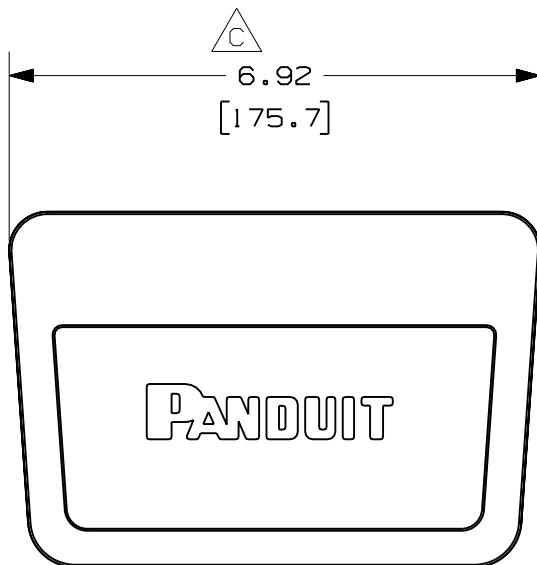
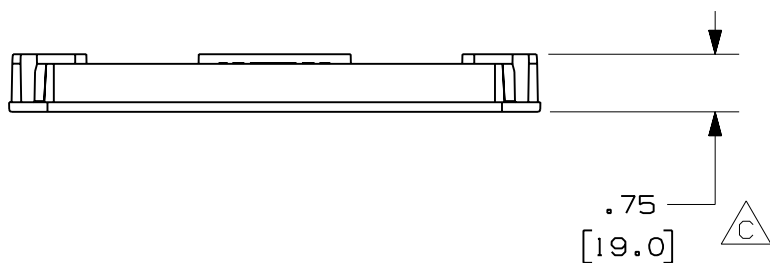
THIS COPY IS PROVIDED ON A RESTRICTED BASIS AND IS NOT TO BE USED IN ANY WAY DETRIMENTAL TO THE INTERESTS OF PANDUIT CORP.

PANDUIT PART NUMBER	WEIGHT
FREC6X4	0.23 LB/EACH (104g/EACH)



NOTES:

1. SEE CURRENT CATALOG FOR ADDITIONAL PART SUFFIXES TO INDICATE COLOR AND/OR PACKAGE QUANTITY.
2. DIMENSIONS IN PARENTHESES ARE IN METRIC.



ENG. REF.: D37185FE_DC_FREC6X4_01.prt

CAD FILENAME/LAYERS: FREC6X4.pdf

REV	DATE	BY	CHK	DESCRIPTION	ECN	R	CUST	SUP	GMBH
-	-----	---	---	H. ADDED DIMENSION	-----	--	--		
-	-----	---	---	G. ROTATED PART GEOMETRY F. ADDED RIGHT SIDE VIEW	-----	--	--		
2	6-30-06	DTP	RN	E. REVISED PART WEIGHT D. REVISED CAD FILENAME	37185-77	RN	RN		
-	-----	---	---	C. REVISED ALL DIMENSIONS TO CURRENT STANDARDS	-----	--	--		
1	1-17-01	JHNU	HIW	B. ADDED DIM. TOLERANCE A. REVISED DRAWING TITLE	37185-77	HIW	HIW		
R	5-9-00	REWE	SMF	RELEASED TO PRODUCTION	37185-77	HIW	HIW		

PANDUIT CORP		TINLEY PARK, ILLINOIS	
FIBERRUNNER 6x4			
END CAP (FREC6X4)		CUSTOMER DRAWING	
UNLESS OTHERWISE SPECIFIED, DIMENSIONAL TOLERANCES ARE: (.X) ± (XXX) ± (.XX) ± .03 (.8) ANGLES ±		UNLESS OTHERWISE SPECIFIED, ALL DIMENSIONS ARE GIVEN IN INCHES, THIRD ANGLE PROJECTION.	
DRAWN BY: REWE		SCALE: NONE	
DATE: 5-9-00		DRAWING NO. 37185-77	
CHK'D: SMF		DWG SIZE: A	
MATERIAL: ABS			