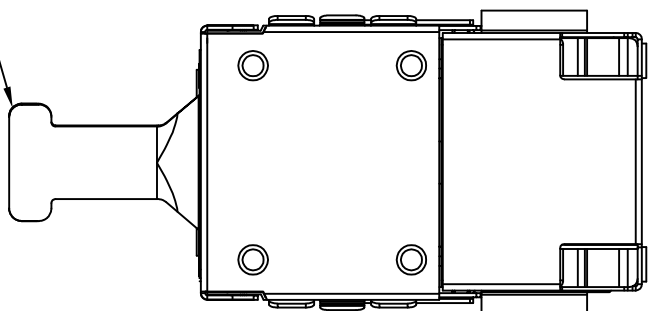
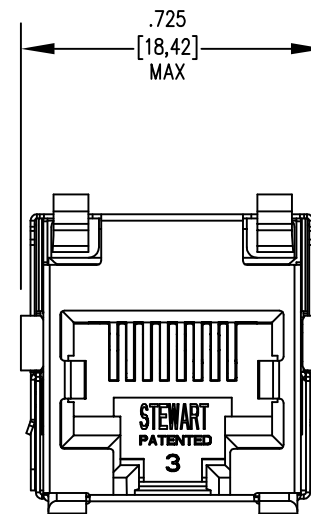
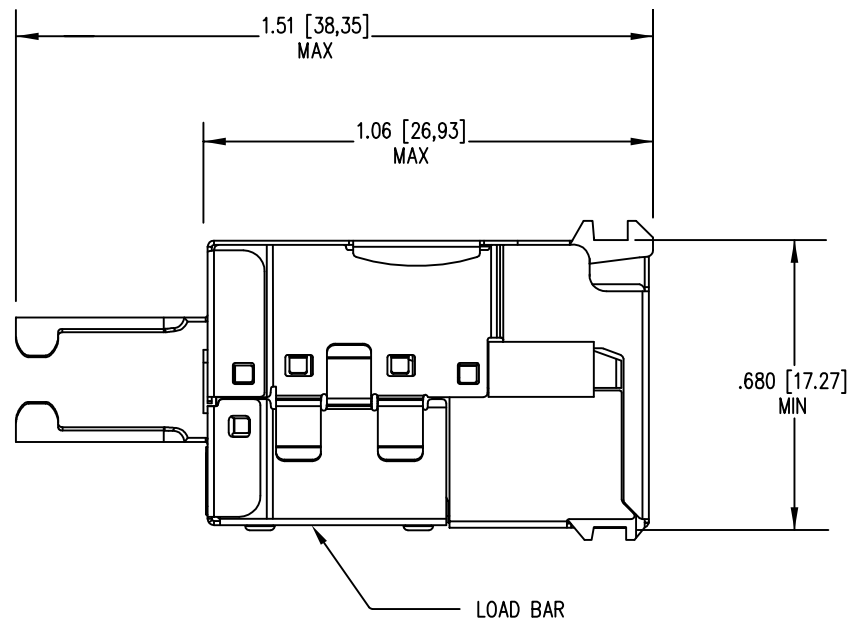
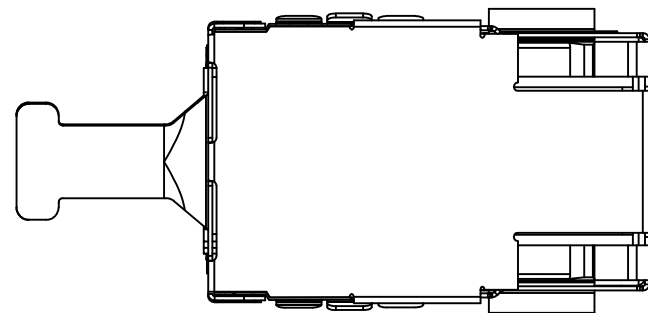
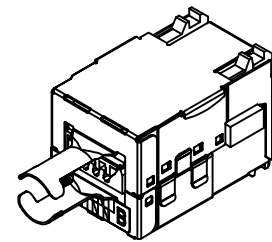


DATE	REV	ECN	APP'D. BY
7-6-09	A4	8775	TRM
1-17-11	A5	9123	TRM
6-27-12	A6	9527	SMN
1-20-15	A7	10227	TRM



- NOTES:
- CONNECTOR MATERIALS:
HOUSING: THERMOPLASTIC UL94 V-0
CONTACTS/SHIELD: COPPER ALLOY
SHIELD PLATING: NICKEL
FERRULE PLATING: NICKEL OR TIN
CONTACT PLATING: SELECTIVE GOLD IN CONTACT AREA
SEE CHART FOR PART NUMBER
 - FOR PRODUCT SPECIFICATIONS SEE PRO26-01.
 - DIMENSIONS AND TOLERANCES COMPLY WITH TIA-1096 STANDARD.

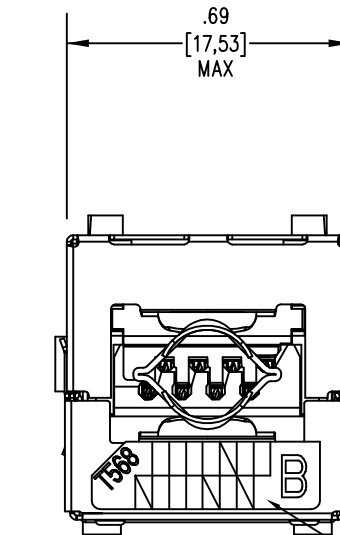
50 MICRO-INCHES [1.27um]	SS-82100-001
CONTACT PLATING IN MATING AREA	PART NUMBER

B

B

A

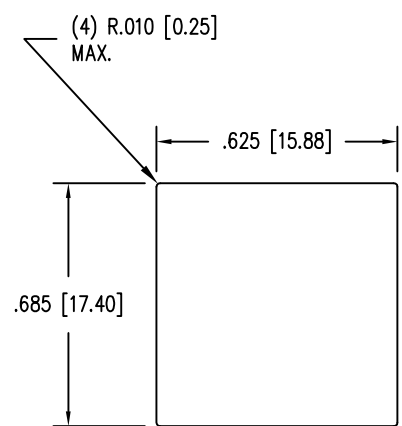
A



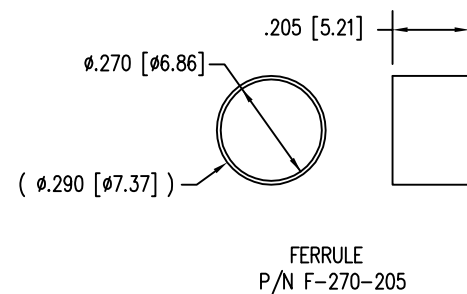
WIRING IDENTIFICATION LABEL

WIRE STRAIN RELIEF

LOAD BAR

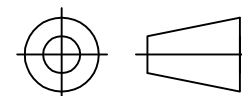


RECOMMENDED PANEL OPENING
.074 [1.88] MAXIMUM PANEL THICKNESS



FERRULE
P/N F-270-205

THIRD ANGLE PROJECTION



1118 Susquehanna Trail South
Glen Rock, PA 17327-9199
(717) 235-7512

<http://www.stewartconnector.com>

DO NOT SCALE DRAWING
DRAWING IS SUBJECT TO
CHANGE WITHOUT NOTICE

TITLE: SHIELDED CABLE READY CAT5e JACK
(SHOWN IN TERMINATED CONDITION)

DIMENSIONS: INCHES [METRIC]

THIS DRAWING AND THE SUBJECT MATTER SHOWN THEREON ARE CONFIDENTIAL AND THE PROPRIETARY PROPERTY OF STEWART CONNECTOR AND SHALL NOT BE REPRODUCED, COPIED, OR USED IN ANY MANNER WITHOUT PRIOR WRITTEN CONSENT OF STEWART CONNECTOR. THIS PRODUCT MAY BE PROTECTED BY ONE OR MORE OF THE FOLLOWING US PATENTS: 5791942 6217391 6368159 6419526 6602097 687722 6964587 7048590 7086909 7568950 7686650 OTHER PATENTS MAY BE PENDING.

DRN BY: TRM DATE 7-18-05

APPD BY: DHG DATE 7-18-05

DWG NO. CT820006 REV. A7

SHEET NO. 1 OF 1



REV. 6/3/05

2

1

AutoCAD