

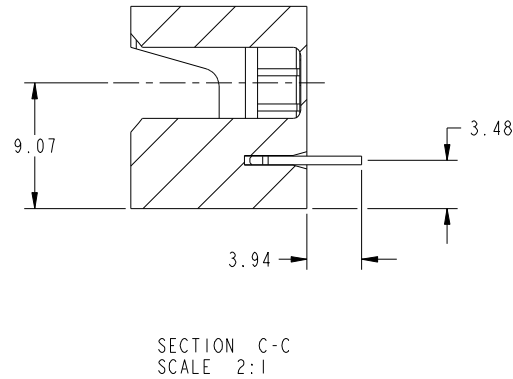
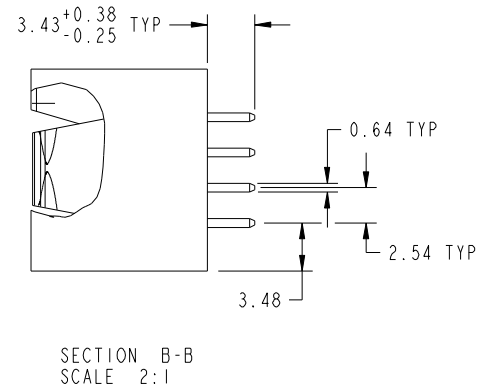
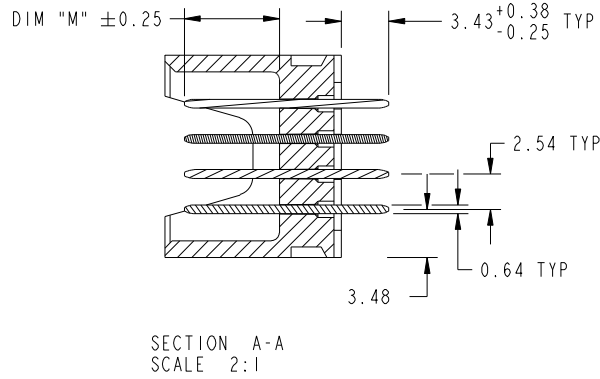


Tous droits strictement reserves. Reproduction ou communication a des tiers interdite sous quelque forme que ce soit sans autorisation écrite du propriétaire. Propriete de c FCI. Droits de reproduction FCI.

All rights strictly reserved. Reproduction or issue to third parties in any form whatever is not permitted without written authority from the proprietor. Property of FCI. Copyright FCI.



PRODUCT NUMBER  
51952-166--  
NOTE 3



mat'l code				tolerances unless otherwise specified		CUSTOMER		 www.fciconnect.com			
ltr	ecn no.	dr	date	linear	0.X ±0.5	COPY		title 3ACP + 16S VERTICAL SOLDER HEADER			
A					0.XX ±0.25	projection				product family PwrBlade code 213	
					0.XXX ±0.1					size dwg no 213	
				angles	0° ±2°			sheet 2 of 4			
				dr	Warren Du 01/30/10	scale		A 51952-166			
				enrg	Warren Du 01/30/10	1:1					
				chr	PM ZHENG 01/30/10						
				appd	JOSEPH HSIA 01/30/10						
sheet index	revision sheet										

cage code 22526

Pro/E

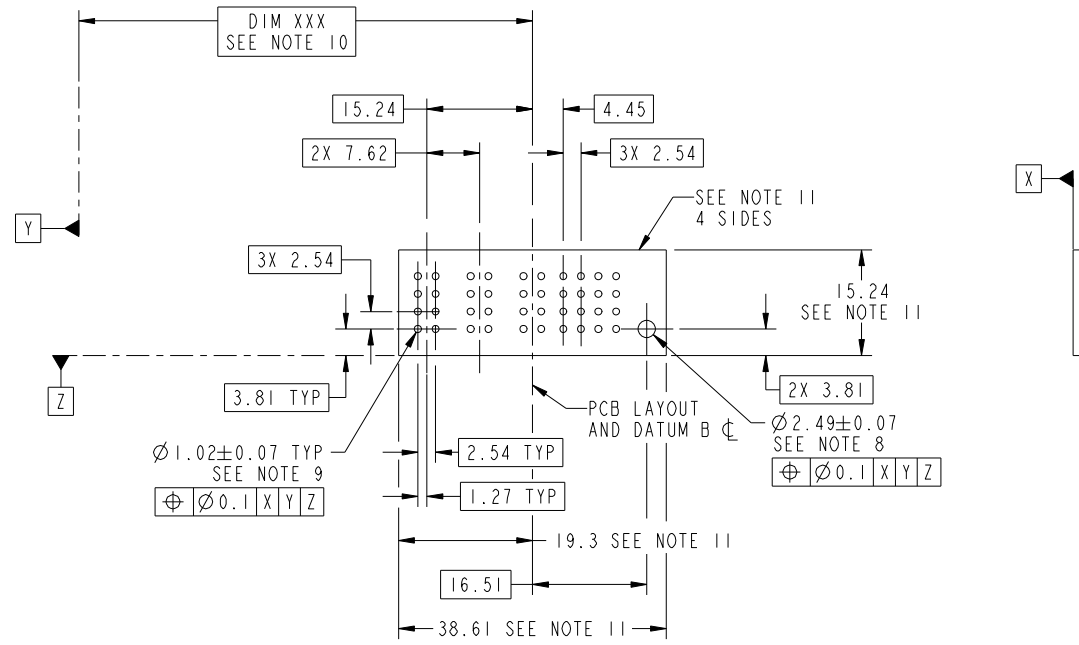
Tous droits strictement reserves. Reproduction ou communication a des tiers interdite sous quelque forme que ce soit sans autorisation écrite du propriétaire. Propriete de c FCI. Droits de reproduction FCI.

All rights strictly reserved. Reproduction or issue to third parties in any form whatever is not permitted without written authority from the proprietor. Property of FCI. Copyright FCI.



PRODUCT NUMBER  
51952-166\_\_  
NOTE 3

1 | 2 | 3 | 4



RECOMMENDED PCB LAYOUT

mat'l code				tolerances unless otherwise specified		CUSTOMER		FCI	
ltr	ecn no.	dr	date	linear	0.X ± 0.5	COPY		www.fciconnect.com	
A				linear	0.XX ± 0.25	projection		title	
				angles	0.XXX ± 0.1			3ACP + 16S VERTICAL SOLDER HEADER	
				dr	Warren Du 01/30/10	MIM		product family PwrBlade code	
				enr	Warren Du 01/30/10			size 213	
				chr	PM ZHENG 01/30/10	scale 1:1		dwg no 51952-166 sheet	
				appd	JOSEPH HSIA 01/30/10			3 of 4	
sheet index		revision sheet							

cage code 22526

Pro/E

Tous droits strictement reserves. Reproduction ou communication a des tiers interdite sous quelque forme que ce soit sans autorisation écrite du propriétaire. Propriete de c FCI. Droits de reproduction FCI.



All rights strictly reserved. Reproduction or issue to third parties in any form whatever is not permitted without written authority from the proprietor. Property of FCI. Copyright FCI.

PRODUCT NUMBER  
51952-166--  
NOTE 3

NOTES:

1. DIMENSIONS AND TOLERANCES ARE IN ACCORDANCE WITH ASME Y14.5M, 1994 UNLESS OTHERWISE SPECIFIED.

CONNECTOR NOTES:

- 2 HOUSING MATERIAL: UL 94 V-0 GLASS FILLED HIGH-TEMP THERMOPLASTIC  
POWER CONTACT MATERIAL: COPPER ALLOY  
SIGNAL PIN MATERIAL: COPPER ALLOY
- 3. SEE ITEM 1 & 2 IN PRINT 10064183 FOR PLATING SPEC OF 51952-166 AND 51952-166LF RESPECTIVELY.
- 4 MANUFACTURER'S NAME, DATE CODE AND OPTIONAL P/N TO APPEAR ON THIS SURFACE. THE P/N CAN BE OMITTED IF THERE IS NOT ENOUGH SPACE ON THIS SURFACE.
- 5. PRODUCT SPECIFICATION GS-12-149.  
APPLICATION SPECIFICATION BUS-20-067.
- 6. PACKAGED IN TRAYS.

PCB NOTES:

- 7. ALL HOLE DIAMETERS ARE FINISHED HOLE SIZE.
- 8. MOUNTING HOLES, WHERE APPLICABLE, ARE UNPLATED.
- 9  $\varnothing 1.151 \pm 0.025$  DRILLED HOLES PLATED WITH 0.008 MIN SnPb OR Sn OVER .001 [0.03] TO 0.08 Cu PLATING TO ACHIEVE  $\varnothing 1.02 \pm .07$  HOLE.
- 10 "DIM XXX" TO BE DETERMINED BY THE CUSTOMER.
- 11 CONNECTOR KEEP-OUT ZONE.

mat'l code				tolerances unless otherwise specified		CUSTOMER		FCI	
ltr	ecr no.	dr	date	linear	0.X ± 0.5	COPY		www.fciconnect.com	
A				projection	0.XX ± 0.25	title		3ACP + 16S	
				angles	0.XXX ± 0.1	VERTICAL SOLDER HEADER			
				dr	0° ± 2°	product family		PwrBlade	code
				enr	Warren Du 01/30/10	size		dwg no	213
				chr	Warren Du 01/30/10	scale		51952-166	sheet
				appd	PM ZHENG 01/30/10	1:1		4 of 4	
					JOSEPH HSIA 01/30/10	A			
sheet index	revision sheet								

cage code 22526

Pro/E