

MATERIALS AND FINISHES

BODY BRASS
PLATED NICKEL

CENTER CONTACT PHOSPHOR BRONZE
PLATED GOLD

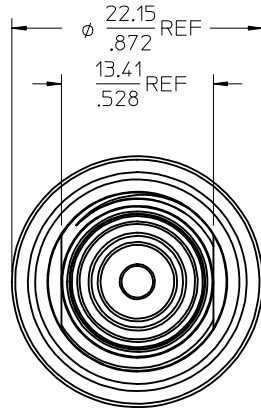
INSULATOR TEFLON

CRIMP FERRULE BRASS
PLATED NICKEL

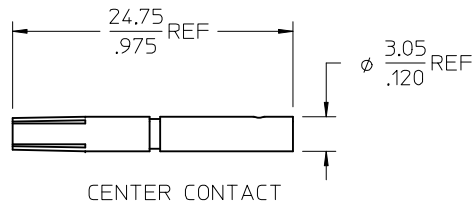
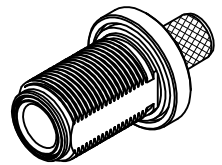
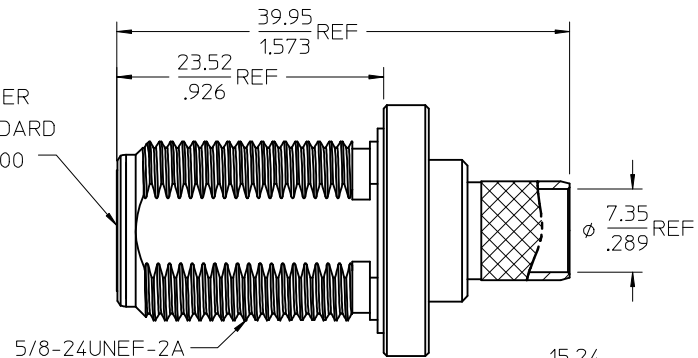
GASKET SILICONE RUBBER

WASHER PHOSPHOR BRONZE
PLATED NICKEL

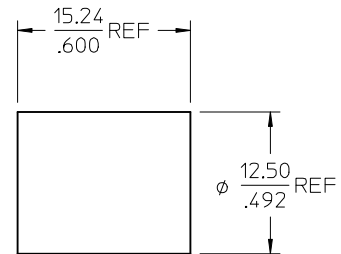
NUT BRASS
PLATED NICKEL



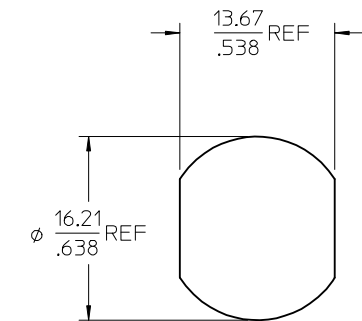
INTERFACE PER
MOLEX STANDARD
ES-73599-0000



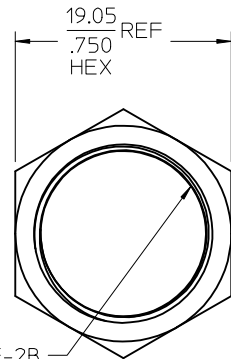
CENTER CONTACT



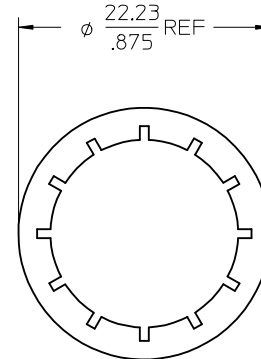
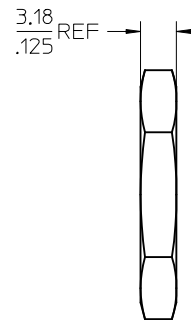
FERRULE



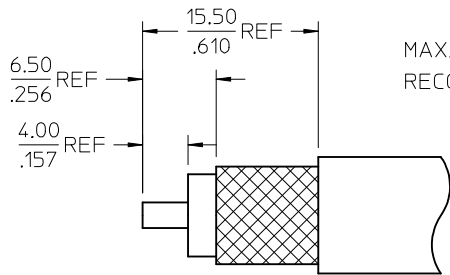
MAX. PANEL THICKNESS: 6.35(.250)
RECOMMENDED MOUNTING TORQUE: 2.26N-M(20IN-LBS)



NUT



WASHER



CABLE STRIP DIMENSIONS
CENTER CONTACT CRIMP (HEX:2.64(.104))
OUTER CONDUCTOR CRIMP (HEX:10.89(.429))

PS-73598-0033	ELEC/MECH PERFORMANCE
SPECIFICATION	DESCRIPTION

PART # 73100-0039

CHG: REDREW TO CORRECT VIEW LINKING ERRORS EC NO: URF2006-0006 2007/11/15 DRWNS: SHAH 2007/11/15 CHKD: SHAH 2007/11/15 APPR: WIENER	QUALITY SYMBOLS ▽=0 ▽=0	GENERAL TOLERANCES (UNLESS SPECIFIED) mm INCH 4 PLACES ± --- ± --- 3 PLACES ± --- ± --- 2 PLACES ± --- ± --- 1 PLACE ± --- ± --- ANGULAR ± 2 °	DIMENSION STYLE MM/IN DRAWN BY DATE R FIELDS 1993/05/26 CHECKED BY DATE R FIELDS 1993/09/09 APPROVED BY DATE KHW 1993/09/20	SCALE DESIGN UNITS METRIC THIRD ANGLE PROJECTION	TITLE N JACK, STRAIGHT BULKHEAD FOR RG8, RG213 50 OHMS, N-JC
	DRAFT WHERE APPLICABLE MUST REMAIN WITHIN DIMENSIONS	MATERIAL NO. 731000039	DOCUMENT NO. SD-73100-0039	SHEET NO. 1 OF 1	
	SIZE C	THIS DRAWING CONTAINS INFORMATION THAT IS PROPRIETARY TO MOLEX INCORPORATED AND SHOULD NOT BE USED WITHOUT WRITTEN PERMISSION			
	B1	MOLEX MOLEX INCORPORATED			