

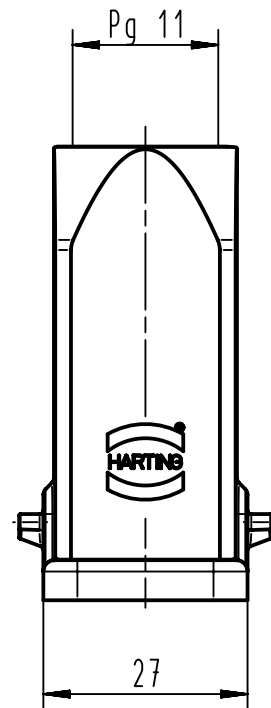
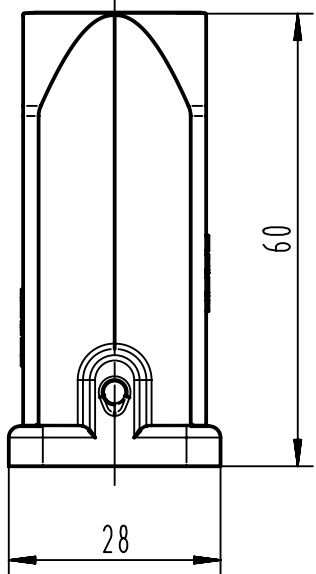
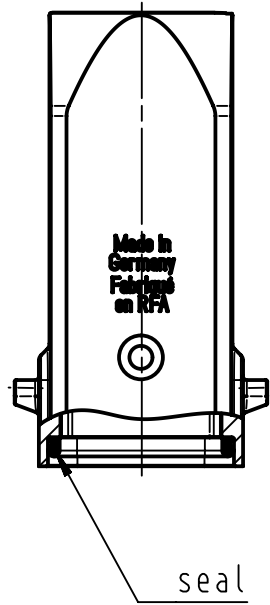
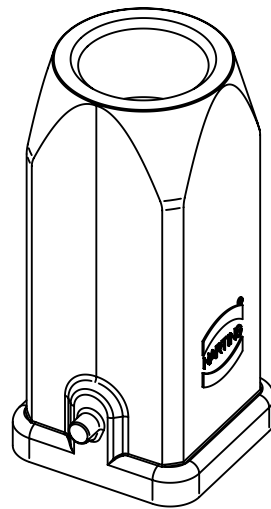
1 2 3 4 5 6

A

B

C

D



	All Dimensions in mm Original Size DIN A4	Scale 1:1		Free size tol.		Ref.		
		Created by SCHULZI		Inspected by BERGHORN	Standardisation RUETERA	Date 2013-03-04	State Final Release	
	All rights reserved	Title Han A Hood Top Entry PG 11 for Han Brid						Doc-Key / ECM-Nr. 100090493/UGD/003/A
	Department EL PD - DE	Type TB				Number 09 62 003 1443		Rev. A
HARTING Electric GmbH & Co. KG D-32339 Espelkamp								